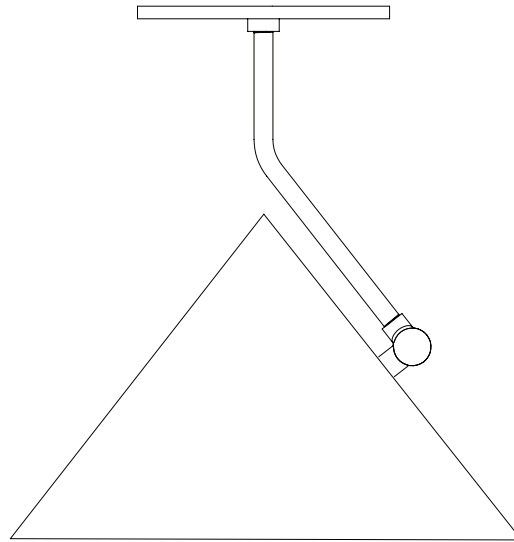


RAVENHILL STUDIO

2122 Cypress Ave, Los Angeles, CA 90065
323.977.8532, contact@ravenhillstudio.com



We recommend installation of our Slide Semi-Flush/Sconce fixture by a professional electrician. Please share this guide with them and ensure they read the instructions completely before beginning assembly.

We recommend finding a clean and level surface to assemble this fixture and consider having a helper nearby in case you need an extra set of hands.

Your Slide Semi-Flush/Sconce fixture comes packaged in (4) individual parts and packets:

(1) Shade Assembly

- Shade
- Swivel
- Bent Arm
- Socket Assembly
- Shade Nut
- Electrical Wires

(1) Misc Contents Envelope

- Threadlocker Packet
- Wire Nuts
- Mounting Screws
- Nitrile Gloves
(recommended for installation)

(1) Canopy Assembly

- Universal Plate
- Steel Nut
- Grounding Wire
- Canopy Reducer
- Canopy
- Canopy Nut
- Strain Relief
- Leveling Set Screws (optional)
- Leveling Set Screw Allen Key


(1) Light Bulb

Included with your Slide fixture are either a 5 or 7 watt LED bulb depending on fixture size.

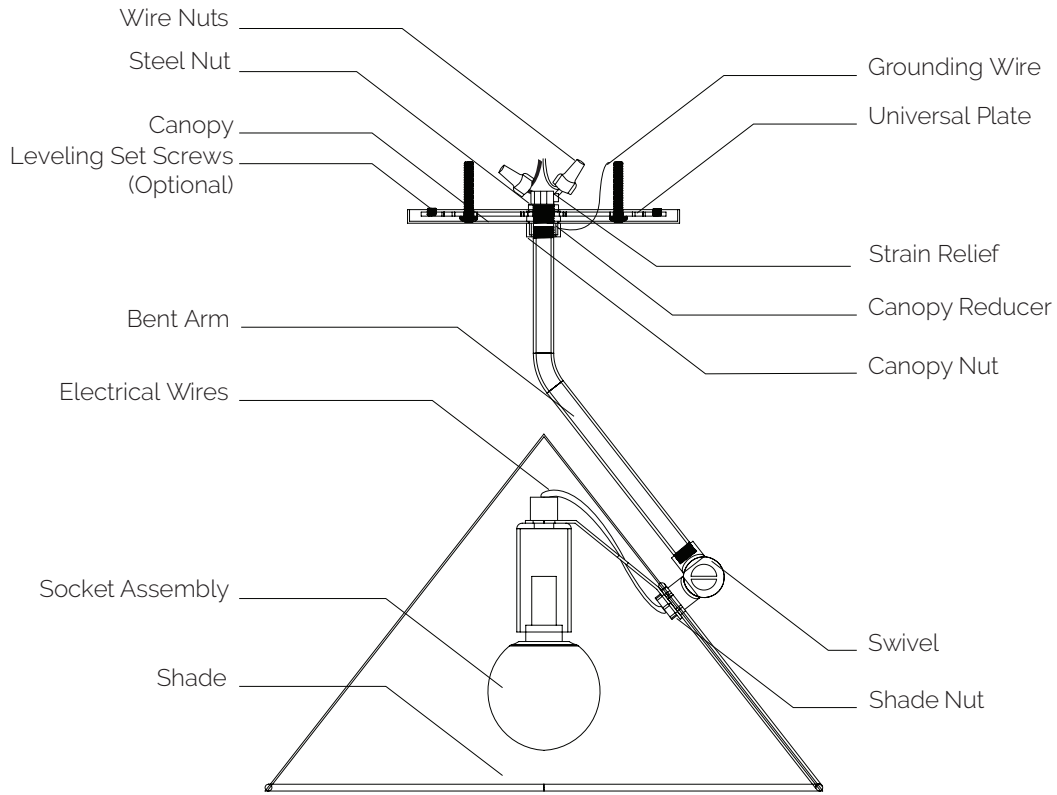
The bulbs are warm white (2700K) G16.5s or G25s and each delivers either 450 or 800 lumens.

The bulbs are JA8 certified and have a 15,000 hr lifetime.

G16.5 bulb or G25 recommended. 10W Max

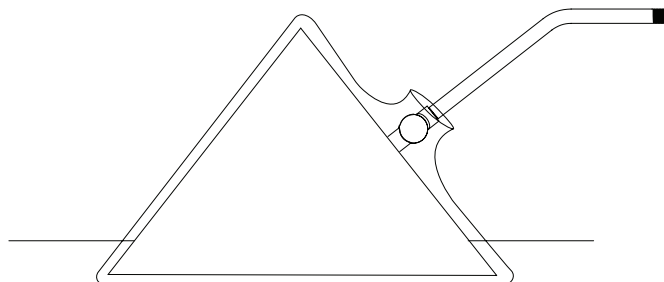
 **CAUTION:** Before starting, turn off power at main circuit power.

Your Slide Semi-Flush/Sconce Assemblies are joined together as shown in the picture below.

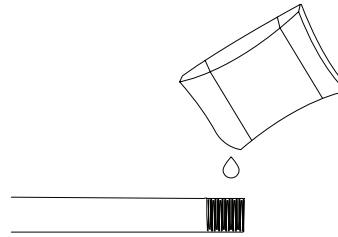


Your Slide Semi-Flush/Sconce fixture includes a fabric covered Shade which is vulnerable to staining if care is not taken. Before installing or adjusting your Slide fixture it is highly recommended to clean hands and wear gloves and to only adjust the Slide Shade as described in notes below. Failure to do so may result in smudges or stains.

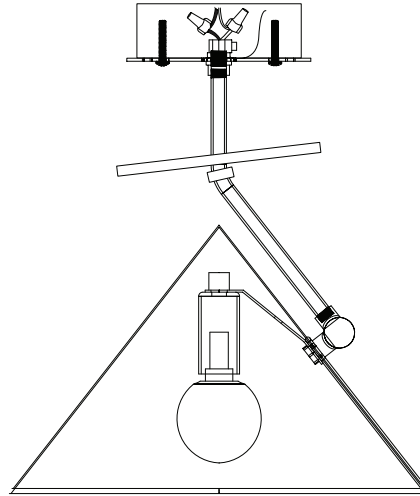
1. Unpack your box and open the black envelope containing the Threadlocker Packet, Wire Nuts, Mounting Screws and Gloves. Put on the gloves and set the remaining parts aside.
2. Grab the threaded end of the Bent Arm and tilt it up to remove the cardboard insert, taking time to set aside the Light Bulb and Canopy Assembly bag.
3. Place the Shade Assembly on a clean and level surface making sure to leave the protective plastic cover on the Shade. Gently raise Bent Arm so that the threaded end of the Bent Arm is parallel to the surface when Shade is lying flat. It may be necessary to use a slotted screwdriver (not provided) to loosen and tighten the Swivel Screw as necessary.



4. Place Threadlocker on the threads of the Bent Arm.



5. Thread Electrical Wires through Canopy Assembly (do not disassemble) and tighten the Canopy Assembly onto the Bent Arm. Make sure they are fully seated together by grabbing the back side of the Universal Plate to tighten. Wipe away any extra Threadlocker and then unscrew the Canopy Nut and slide both it and the Canopy gently toward the Shade to rest upon the Swivel.

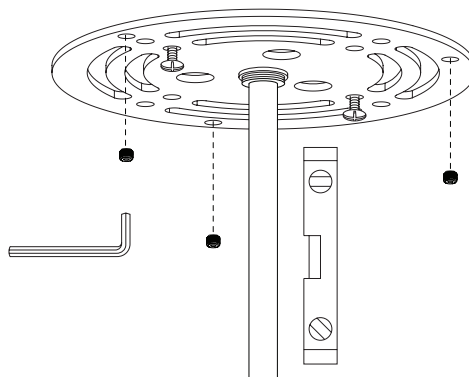


6. With the Universal Plate now exposed, take time before Threadlocker sets to make sure the connection between Bent Arm and Canopy Reducer is tight. Depending on the desired fixture orientation it may be necessary to loosen the Steel Nut in the back of the canopy in order to adjust the Universal Plate so that its mounting holes align with the J-box.

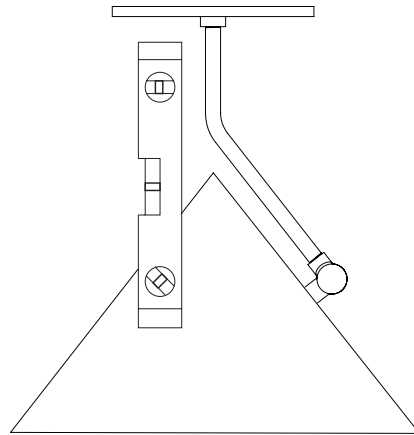
7. Connect the Electrical Wires to junction box power using Wire Nuts.

8. Secure the Universal Plate to the junction box with the Mounting Screws making sure that the Bent Arm is pointing in the desired orientation (see Notes).

9. Before connecting the Canopy it is important to make sure that the Universal Plate is firmly secured to the junction box and that the portion of the Bent Arm closest to the Canopy is plumb or level depending on ceiling or wall mount applications. If the Bent Arm is not level or plumb then the Universal Plate can be adjusted by using the optional Leveling Set Screws and Allen Key. To do so first loosen the Mounting Screws until the Universal Plate is slightly spaced off the wall/ceiling. Then insert and tighten the Leveling Set Screws until the Bent Arm hangs level or plumb.



10. Slip the Canopy and Canopy Nut up the Bent Arm and secure the Canopy by tightening the Canopy Nut over the Canopy Reducer.



11. To adjust the Shade, grab the internal socket assembly and use it as a lever to set the Shade to the desired orientation, using a level if necessary. Once set, securely tighten the Swivel Screw with a slotted screwdriver.

12. Remove protective plastic covering from the Slide Shade by tearing the bag or carefully using scissors or knife.

13. Screw in the Light Bulb, turn on and enjoy!

NOTES / TROUBLESHOOTING:

The Threadlocker which connects the Bent Arm to the Canopy Reducer cures in 24 hours. This cure time allows some final fine adjustment of the Bent Arm after installation before glue is fully set.

The Universal Plate should allow almost any desired orientation but in some cases adjusting the fixture orientation by loosening the Steel Hex Nut might be required.

Your Slide fixture comes with an adjustable Swivel joint that allows great versatility in how Slide can cast light. To adjust the Shade first grab the internal Socket Assembly before loosening and tightening the Swivel Screw. A half a turn of the Swivel Screw should be all that is needed to loosen the Swivel joint enough to adjust the Shade angle.

Make sure to fully tighten the Swivel Screw after finalizing shade orientation to ensure Shade doesn't move over time.

Typical orientations have the open end of the Shade positioned parallel to the ground which in ceiling mount conditions would result in the side of the Shade positioned parallel to the Bent Arm when facing down. When used in wall-mount applications the Bent Arm can be positioned facing up or down depending on desired orientation.

The Shade is secured and aligned to the Bent Arm in our Studio by tightening the Shade Nut inside the Shade. In some cases this Shade Nut might need to be loosened to fine tune the Shade to hang level and then tightened again.

To clean your Slide Shade it is recommended to use compressed air to blow away dust and dirt particles. Avoid using water or a vacuum to clean your Slide Shade.

Due to the delicate nature of the fabric covered Shade it is highly recommended to clean hands and wear gloves before installing or adjusting your Slide fixture.

The Canopy Nut comes pre-threaded onto your Canopy Assembly in its correct orientation. If for any reason the Canopy Nut becomes unthreaded from the assembly, make sure to double check that it is in the correct orientation by fully securing it onto the Canopy reducer before any ThreadLocker is applied.