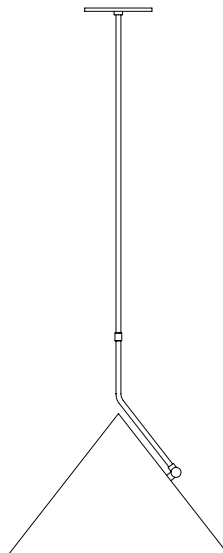


RAVENHILL STUDIO

2122 Cypress Ave, Los Angeles, CA 90065
323.977.8532, contact@ravenhillstudio.com



We recommend installation of our Slide Drop Pendant by a professional electrician. Please share this guide with them and ensure they read the instructions completely before beginning assembly.

We recommend finding a clean and level surface to assemble this fixture and consider having a helper nearby in case you need an extra set of hands.

Your Slide Drop Pendant comes packaged in (4) individual parts and packets:

(1) Shade Assembly

- Shade
- Swivel
- Bent Arm
- Socket Assembly
- Shade Nut
- Electrical Wires

(1) Misc Contents Envelope

- Threadlocker Packet
- Wire Nuts
- Mounting Screws
- Nitrile Gloves
(recommended for installation)

(1) Canopy Assembly

- Universal Plate
- Steel Nut
- Grounding Wire
- Canopy Reducer
- Canopy
- Canopy Nut
- Leveling Set Screws (optional)
- Leveling Set Screw Allen Key


(1) Light Bulb

Included with your Slide fixture are either a 5 or 7 watt LED bulb depending on fixture size.

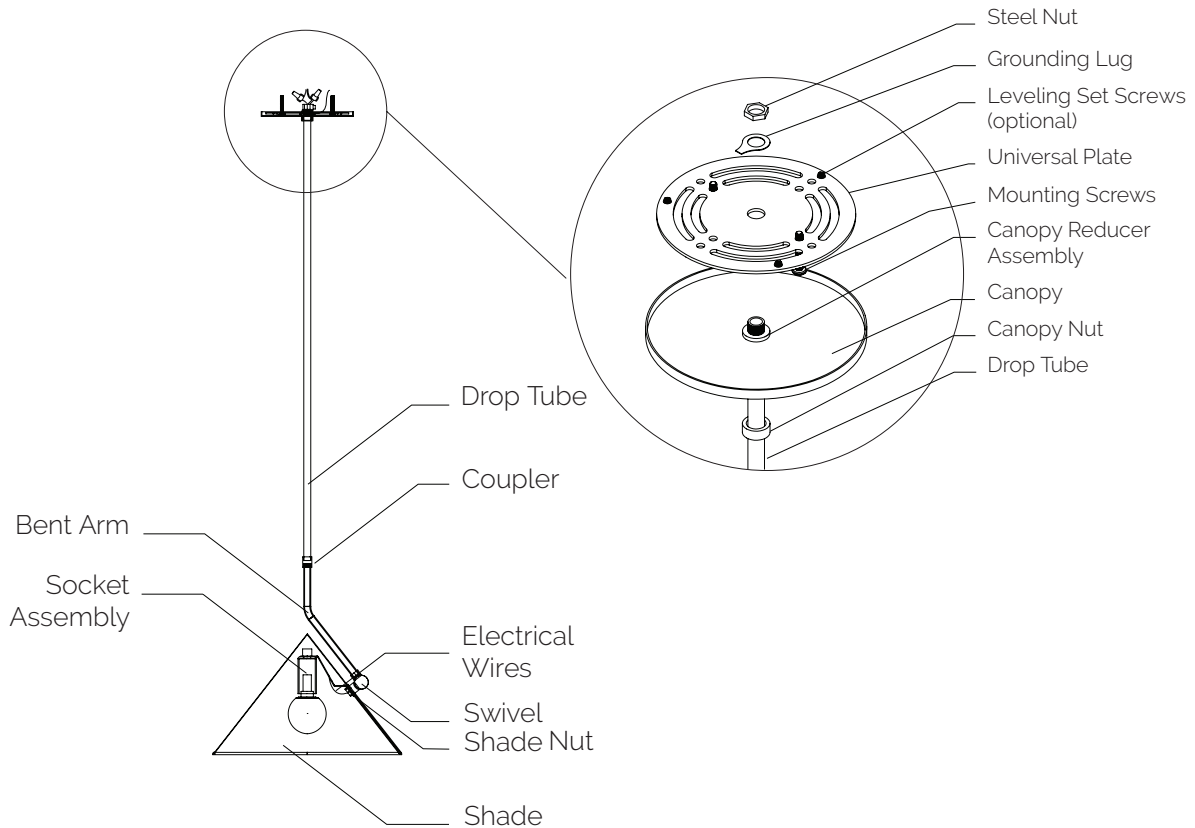
The bulbs are warm white (2700K) G16.5s or G25s and each delivers either 450 or 800 lumens.

The bulbs are JA8 certified and have a 15,000 hr lifetime.

G16.5 bulb or G25 recommended. 10W Max

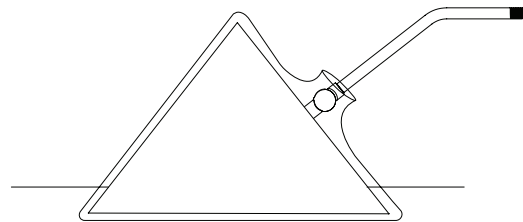
 **CAUTION:** Before starting, turn off power at main circuit power.

Your Slide Drop Pendant Assemblies are joined together as shown in the picture below.

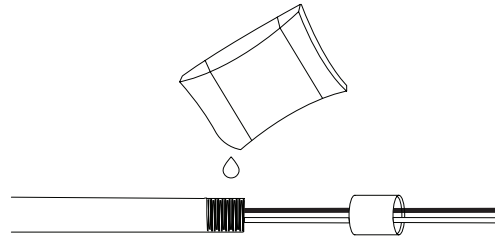


Your Slide Drop Pendant includes a fabric covered Shade which is vulnerable to staining if care is not taken. Before installing or adjusting your Slide Drop fixture it is highly recommended to clean hands and wear gloves and to only adjust the Slide Shade as described in notes below. Failure to do so may result in smudges or stains.

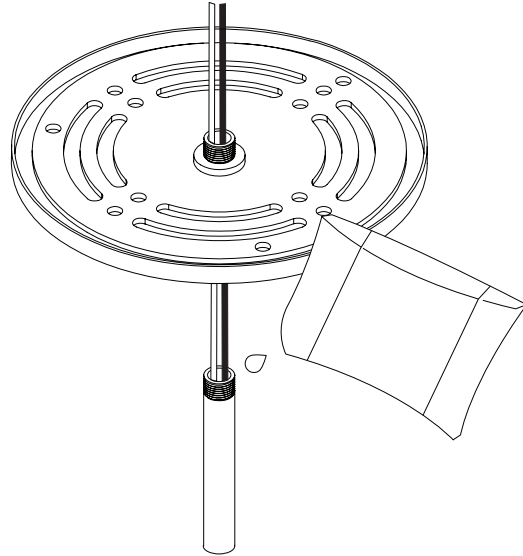
1. Unpack your box and open the black envelope containing the Threadlocker Packet, Wire Nuts, Mounting Screws and Gloves. Put on the gloves and set the remaining parts aside.
2. Grab the threaded end of the Bent Arm and tilt it up to remove the cardboard insert, taking time to set aside the Light Bulb and Canopy Assembly bag.
3. Place the Shade Assembly on a clean and level surface making sure to leave the protective plastic cover on the Shade. Gently raise Bent Arm so that the threaded end of the Bent Arm is parallel to the surface when Shade is lying flat. It may be necessary to use a slotted screwdriver (not provided) to loosen and tighten the Swivel Screw as necessary.



4. Unpack Drop Tube Assembly from box (Assembly may be in separate box) and remove plastic netting. Unbundle wires from Fixture Assembly and thread wires through the end of Drop Tube Assembly with the Coupler. Place Threadlocker on threads of Bent Arm and then tighten to firmly secure Bent Arm and Drop Tube together.



5. Place Threadlocker on the threaded end of the Drop Tube Assembly and then thread Electrical Wires through Canopy Assembly (do not disassemble). Tighten the Canopy Assembly onto the Drop Tube Assembly, making sure they are fully seated together by grabbing the back side of the Universal Plate to tighten. Wipe away any extra Threadlocker and then unscrew the Canopy Nut and slide both it and the Canopy gently toward the Shade to rest upon the Coupler.

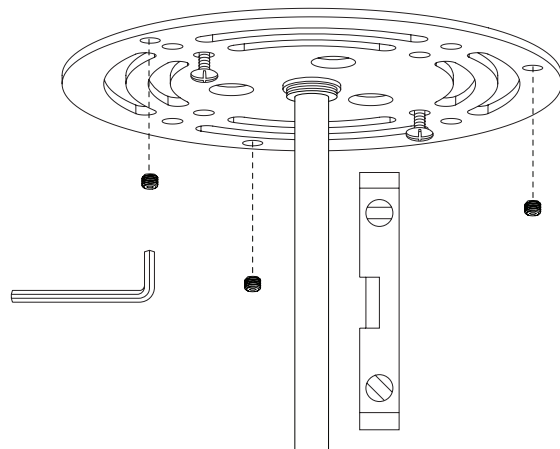


6. With the Universal Plate now exposed, take time before Threadlocker sets to make sure the connection between Drop Tube and Canopy Reducer is tight. Depending on the desired fixture orientation it may be necessary to loosen the Steel Nut in the back of the Universal Plate in order to adjust the Plate so that its mounting holes align with the J-box.

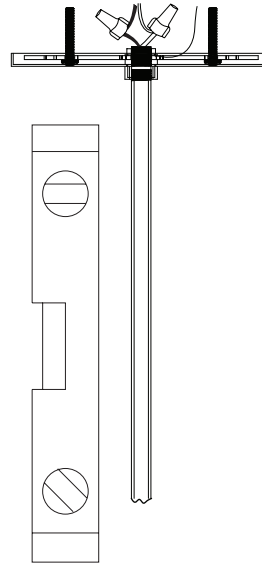
7. Connect the Electrical Wires to junction box power using Wire Nuts.

8. Secure the Universal Plate to the junction box with the Mounting Screws making sure that the Bent Arm is pointing in the desired orientation (see Notes).

9. Before connecting the Canopy it is important to make sure that the Universal Plate is firmly secured to the junction box and that the Drop Tube is plumb. If the Drop Tube is not plumb then the Universal Plate can be adjusted by using the optional Leveling Set Screws and Allen Key. To do so first loosen the Mounting Screws until the Universal Plate is slightly spaced off the wall/ceiling. Then insert and tighten the Leveling Set Screws until the Drop Tube hangs level or plumb.



10. Slip the Canopy and Canopy Nut up the Drop Tube and secure the Canopy by tightening the Canopy Nut over the Canopy Reducer.



11. To adjust the Shade, grab the internal socket assembly and use it as a lever to set the Shade to the desired orientation, using a level if necessary. Once set, securely tighten the Swivel Screw with a slotted screwdriver.

12. Remove protective plastic covering from the Slide Shade by tearing the bag or carefully using scissors or knife.

13. Screw in the Light Bulb, turn on and enjoy!

NOTES / TROUBLESHOOTING:

The Universal Plate should allow almost any desired orientation but in some cases adjusting the fixture orientation by loosening the Steel Hex Nut might be required.

Your Slide fixture comes with an adjustable Swivel joint that allows great versatility in how Slide can cast light. To adjust the Shades first grab the internal Socket Assembly before loosening and tightening the Swivel Screw. A half a turn of the Swivel Screw should be all that is needed to loosen the Swivel joint enough to adjust the Shade angle.

Make sure to fully tighten the Swivel Screw after finalizing shade orientation to ensure Shade doesn't move over time.

The Shades are secured and aligned to the Bent Arms in our Studio by tightening the Shade Nut inside the Shade. In some rare cases these Shade Nuts might need to be loosened to fine tune the Shade to hang level and then tightened again.

To clean your Slide Shade it is recommended to use compressed air to blow away dust and dirt particles. Avoid using water or a vacuum to clean your Slide Shade.

Due to the delicate nature of the fabric covered Shades it is highly recommended to clean hands and wear gloves before installing or adjusting your Slide fixture.

The Canopy Nut comes pre-threaded onto your Canopy Assembly in its correct orientation. If for any reason the Canopy Nut becomes unthreaded from the assembly, make sure to double check that it is in the correct orientation by fully securing it onto the Canopy reducer before any ThreadLocker is applied.