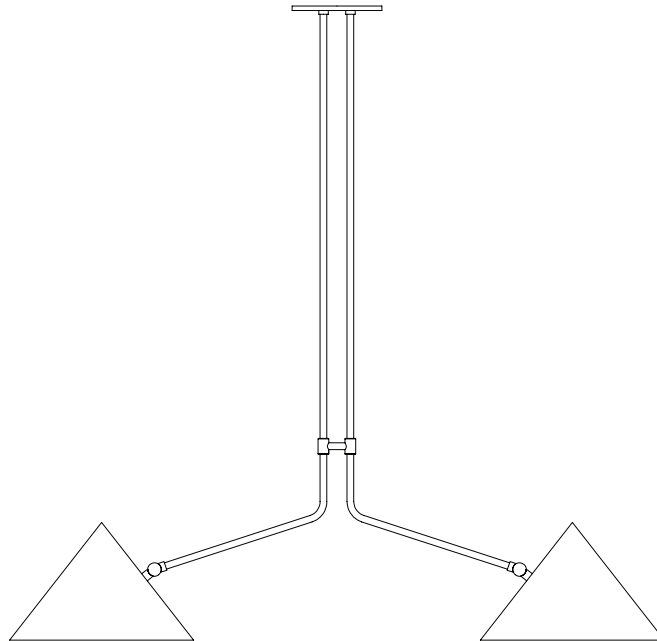


RAVENHILL STUDIO

2122 Cypress Ave, Los Angeles, CA 90065
323.977.8532, contact@ravenhillstudio.com



We recommend installation of our Slide 2 Arm fixture by a professional electrician. Please share this guide with them and ensure they read the instructions completely before beginning assembly.

We recommend finding a clean and level surface to assemble this fixture and consider having a helper nearby in case you need an extra set of hands.

Your Slide 2 Arm fixture comes packaged in (6) individual parts and packets:

(2) Shade Assemblies

- Shade
- Swivel
- Bent Arm
- Socket Assembly
- Shade Nut
- Electrical Wires

(1) Misc Contents Envelope

- Threadlocker Packet
- Wire Nuts
- Mounting Screws
- Canopy Strain Reliefs
- Mounting Screws
- Allen Wrench
- Extra Tee Set Screws
- Nitrile Gloves
(recommended for installation)

(1) Canopy Assembly

- Universal Plate
- Steel Nuts
- Grounding Wire
- Canopy Reducers
- Canopy
- Canopy Nuts
- Drop Tubes
- Tee Coupler Assembly
- Strain Reliefs
- Additional Drop Tubes and Couplers (optional)
- Threadlocker (for additional Drop Tubes only)
- Leveling Set Screws (optional)
- Leveling Set Screw Allen Key


(2) Light Bulbs

Included with your Slide fixture are either two 5 or 7 watt LED bulb depending on fixture size.

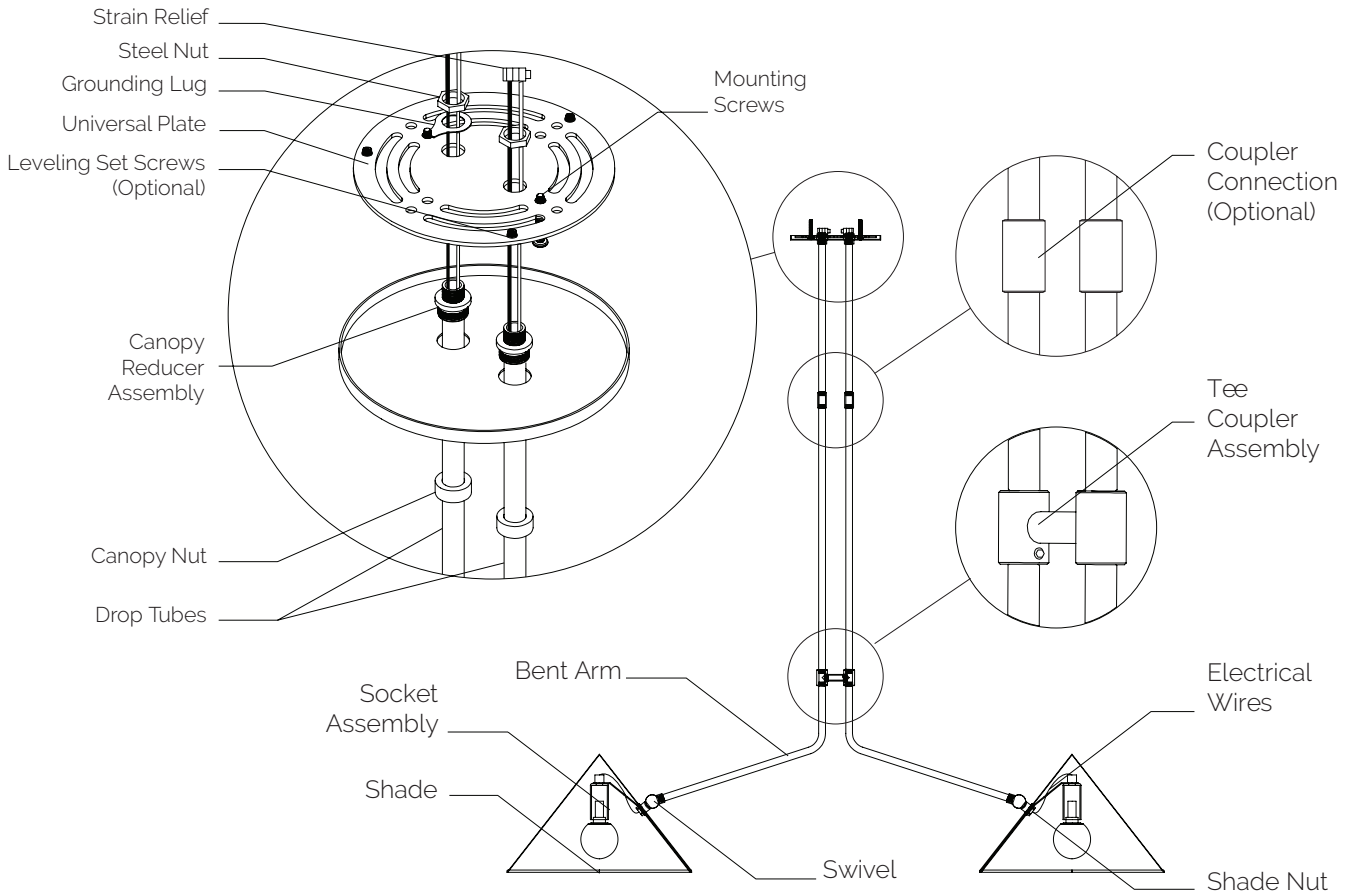
The bulbs are warm white (2700K) G16.5s or G25s and each delivers either 450 or 800 lumens.

The bulbs are JA8 certified and have a 15,000 hr lifetime.

G16.5 bulb or G25 recommended. 10W Max

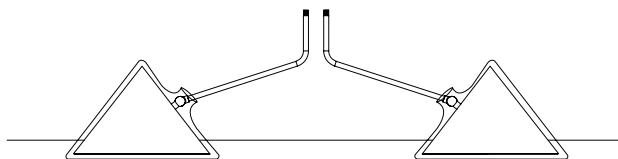
 **CAUTION: Before starting, turn off power at main circuit power.**

Your Slide 2 Arm Pendant Assemblies are joined together as shown in the picture below.



Your Slide 2 Arm fixture includes a fabric covered Shade which is vulnerable to staining if care is not taken. Before installing or adjusting your Slide fixture it is highly recommended to clean hands and wear gloves and to only adjust the Slide Shade as described in notes below. Failure to do so may result in smudges or stains.

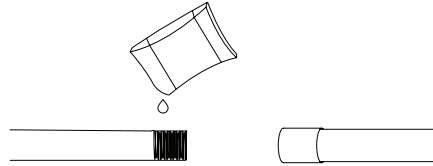
1. Unpack your box and open bag containing Threadlocker Packet, Wire Nuts, Mounting Screws, Allen Wrench and Gloves. Put on the gloves and set the remaining parts aside.
2. Grab the threaded ends of the Bent Arms and tilt them up in order to remove the cardboard inserts.
3. Lift up both inserts (starting with the insert containing the Canopy Assembly) and remove the Light Bulbs and Canopy Assembly from the packaging and set aside.
4. Place the Shade Assemblies on a clean and level surface making sure to leave the protective plastic cover on the Shades but removing plastic netting from the Bent Arms. Gently raise Bent Arms so that the threaded end of the Bent Arm is perpendicular to the surface when Shade is lying flat. It may be necessary to use a slotted screwdriver (not provided) to loosen and tighten the Swivel Screw as necessary.



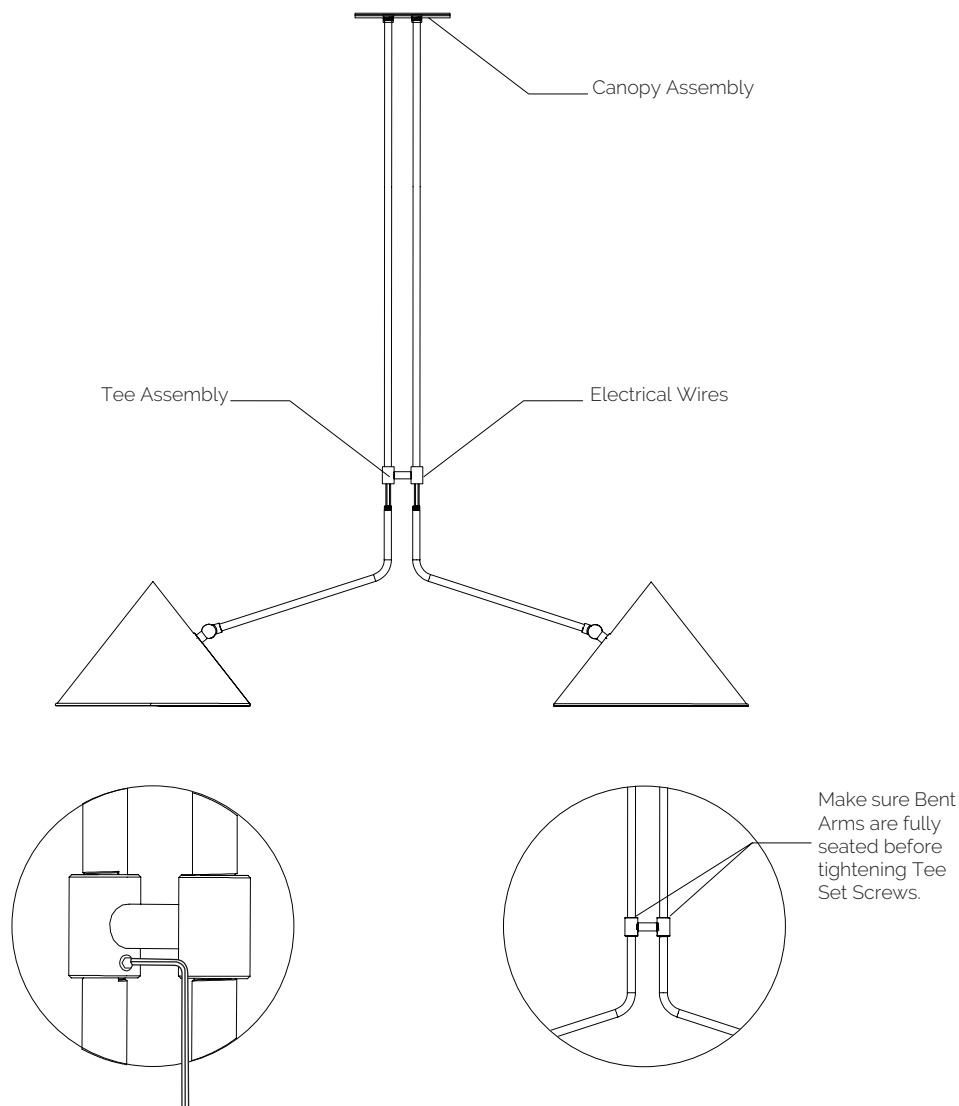
5. Unpack Drop Tube Assembly from box (Assembly may be in separate box) and remove plastic netting. If your 2 Arm Pendant comes with extra long Drop Tubes needing to be joined on site please read below, otherwise continue to step 7.

6. To connect extra long Drop Tubes, first orient components of the Drop Tube Assembly on a flat surface and ensure that they are orientated in the correct order by referencing the drawing on page 2. One set of Drop Tubes should be connected to the Tee Coupler Assembly and have exposed threads. The other set of Drop Tubes should be connected to the Canopy Assembly and have Couplers on one end. Before connecting the two sets it may be necessary to loosen the connection between the top set of Tubes and the Universal Plate by loosening the Steel Nuts. Once that is done, place Threadlocker on the exposed threads of the lower Drop Tubes and then securely tighten the top set of Coupler and Drop Tubes and wipe away any extra Threadlocker.

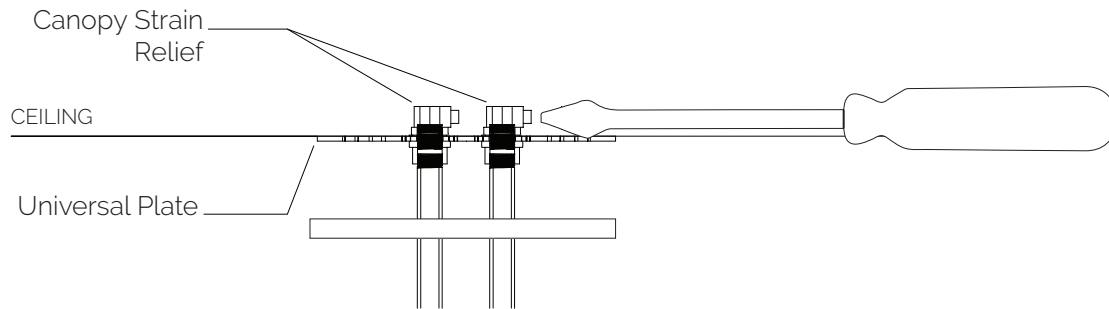
Once all the Drop Tubes are connected take a minute to make sure the two Drop Tube assemblies are the same length. If needed, small adjustments can be made by slightly adjusting the Coupler connection on each assembly before the Threadlocker sets. Once Drop Tube Assemblies are the exact same length, then retighten the Steel Nuts joining the assemblies to the Universal Plate.



7. Asking a friend for help, have one person hold the Drop Tube Assembly upright while the other threads the Electrical Wires through Drop Tube assembly and pull through until the Bent Arms are fully seated in the Tee Coupler Assembly. Using the included Allen Key, tighten Tee Set Screw until the Bent Arms are firmly secured in desired orientation.



8. Thread Strain Reliefs onto Electrical Wires coming out the backside of the Universal Plate and tighten.

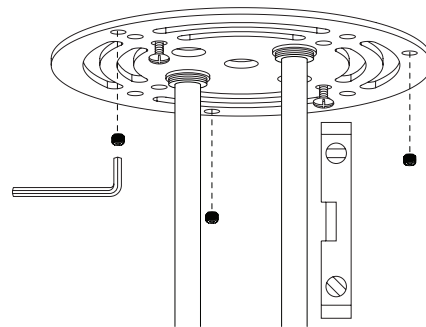


9. Unscrew the Canopy Nuts and slide those as well as the Canopy gently toward the Tee Coupler Assembly. With the Universal Plate now exposed, take time before connecting the fixture to ensure Universal Plate is correctly aligned. Depending on the desired fixture orientation it may be necessary to loosen the Steel Nuts in the back of the canopy in order to adjust the Universal Plate so that its mounting holes align with the J-box.

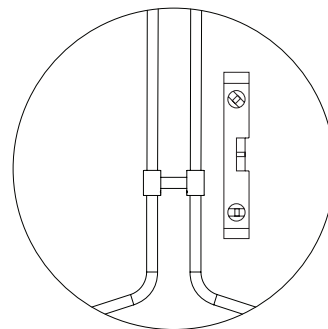
10. Connect the Electrical Wires to junction box power using Wire Nuts.

11. Secure the Universal Plate to the junction box with the Mounting Screws making sure that the fixture is oriented in the desired direction (see Notes).

12. Before connecting the Canopy it is important to make sure that the Universal Plate is firmly secured to the junction box and that the Drop Tubes are plumb. If the Drop Tubes are not plumb then the Universal Plate can be adjusted by using the optional Leveling Set Screws and Allen Key. To do so first loosen the Mounting Screws until the Universal Plate is slightly spaced off the wall/ceiling. Then insert and tighten the Leveling Set Screws until the Drop Tubes hang level or plumb.



13. Slip the Canopy and Canopy Nuts up the Drop Tubes and secure the Canopy by tightening the Canopy Nuts over the Canopy Reducers.



14. To adjust the Shades, grab the internal socket assembly and use it as a lever to set the Shades to the desired orientation, using a level if necessary. Once set, securely tighten the Swivel Screws with a slotted screwdriver.

15. Once suspended the orientation of the Bent Arms can be fine tuned by loosening the Tee Set Screw, adjusting arms to desired orientation location and then tightening the Tee Set Screw.

16. Remove protective covering from the Slide Shades.

17. Screw in the Light Bulbs, turn on and enjoy!

NOTES / TROUBLESHOOTING:

The Universal Plate should allow almost any desired orientation but in some cases adjusting the fixture orientation by loosening the Steel Hex Nut might be required.

Your Slide fixture comes with an adjustable Swivel joint that allows great versatility in how Slide can cast light. To adjust the Shade first grab the internal Socket Assembly before loosening and tightening the Swivel Screw. A half a turn of the Swivel Screw should be all that is needed to loosen the Swivel joint enough to adjust the Shade angle.

Make sure to fully tighten the Swivel Screw after finalizing shade orientation to ensure Shade doesn't move over time.

Typical orientations have the open end of the Shade positioned parallel to the ground which in ceiling mount conditions would result in the side of the Shade positioned parallel to the Bent Arm when facing down. When used in wall-mount applications the Bent Arm can be positioned facing up or down depending on desired orientation.

The Shades are secured and aligned to the Bent Arm in our Studio by tightening the Shade Nuts inside the Shades. In some rare cases these Shade Nuts might need to be loosened to fine tune the Shades to hang level and then tightened again.

To clean your Slide Shade it is recommended to use compressed air to blow away dust and dirt particles. Avoid using water or a vacuum to clean your Slide Shade.

Due to the delicate nature of the fabric covered Shade it is highly recommended to clean hands and wear gloves before installing or adjusting your Slide fixture.

The Canopy Nuts come pre-threaded onto your Canopy Assembly in their correct orientation. If for any reason the Canopy Nuts become unthreaded from the assembly, make sure to double check that they are in the correct orientation by fully securing them onto the Canopy reducer before any ThreadLocker is applied.