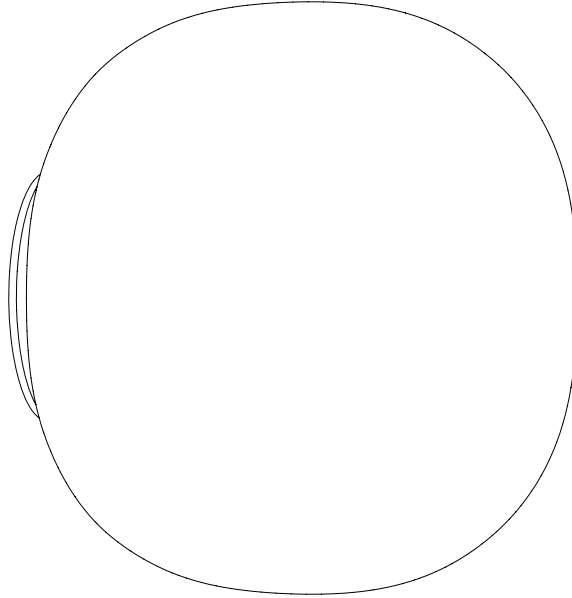


# RAVENHILL STUDIO

2122 Cypress Ave, Los Angeles, CA 90065  
323.977.8532, contact@ravenhillstudio.com



We recommend the installation of our Pearl Trimless Fixture by a professional contractor and electrician. Please share this guide with them and ensure they read the instructions completely before beginning electrical wiring.

Pearl Trimless must have its Trimless Plate installed prior to final wall cladding or drywall finish and paint.

Your Pearl Trimless fixture comes packaged in (5) individual parts and packets:

Glass Globe

Trimless Plate Assembly

G8 Lightbulb

Miscellaneous Content

Tech Assembly

- Socket and Wires
- Threaded Socket Shell
- Rubber Gasket
- (2) #4 3/4" Mounting Screws
- (2) #4 2" Mounting Screws

- Trimless Plate
- Grounding Wire
- (3) Wago Connectors
- (2) 8-32 Canopy Mounting Screws


Included with your Pearl Fixture is a 4.5-watt or 7-watt LED Lightbulb.

The Lightbulb is a Dim To Warm (1800 - 2700K) G8 and delivers 450-700 lumens.

The Lightbulb is JA8 certified and has a 15,000 hr lifetime.

G8 Lightbulb Only, 7W Max.

Standard Pearl 4 & 6 Trimless are damp location rated. Pearl 4 & 6 Trimless have a wet location option that uses sealant (see steps 5-7) and brass/stainless steel components.

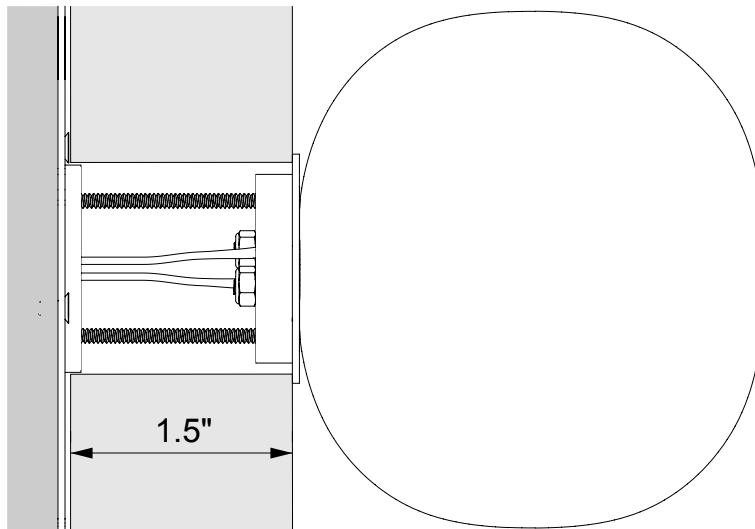
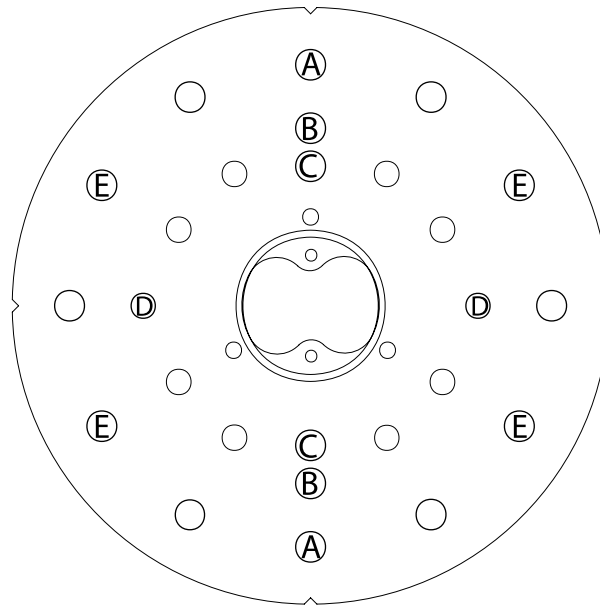
 **CAUTION:** Before starting, turn off power at main circuit power.

**Preparation:**

Your Pearl Trimless can be installed in a variety of wall conditions. All boxes will need to have a minimum of 1" of depth inside to accommodate the fixture. The junction box must be even (or slightly recessed) with the final wall plane for proper installation. If the junction box is proud of the drywall wall or mounting substrate, the Trimless Plate may not be able to be installed correctly. It is recommended that walls be level prior to installation, please use the key below to choose the hole, hardware, and orientation for installation. For alternative materials, confirm that your final wall thickness is not more than 1 1/2". Make sure to account for any mud or adhesives. See the diagrams below.

**WALL PLATE KEY:**

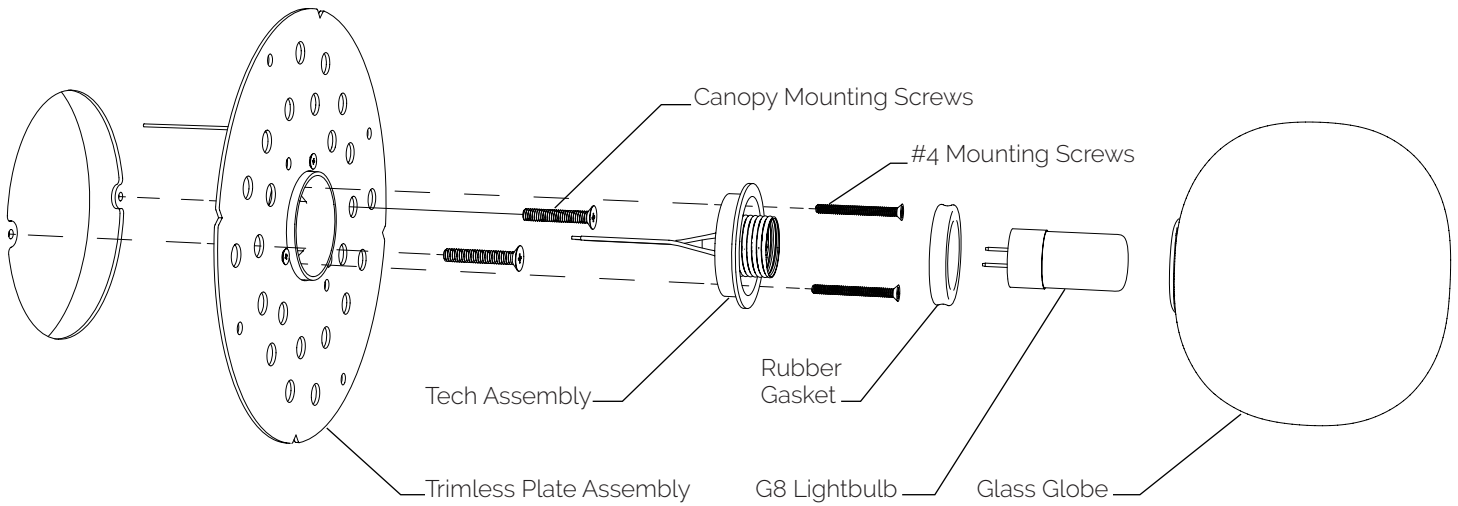
- A: 4" SQUARE BOX (8-32)
- B: 4" HEX BOX (8-32)
- C: 3.5" ROUND PAN (8-32)
- D: OUTLET BOX (6-32) (not included)
- E: DRYWALL SCREWS (not included)



Install the junction box accordingly, if the junction box is too deep the fixture will not be able to be installed.

It is recommended to test fit with scrap material while the electrician is on site.

Your Pearl Trimless assemblies are joined as shown in the picture below.

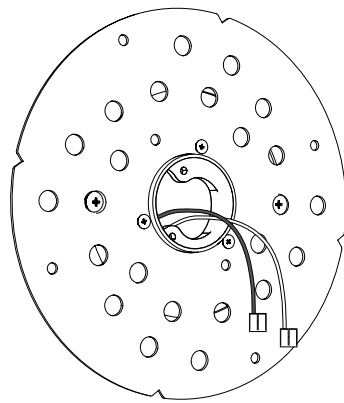


Your Pearl Trimless fixture includes a Glass Globe, which is vulnerable to scratching or staining if care is not taken. Before installing or adjusting your Pearl fixture, clean your hands or wear gloves, and adjust the Globe as described in the notes below. Failure to do so may result in scratches or stains.

Preparations for installing a Pearl Trimless fixture on an alternative material such as wood, masonry, or tile differ from the plaster installation. Please refer to the correct steps below, depending on the finished surface.

### Set-Up

1. Unpack your box and open the envelope containing the Trimless Plate. Enclosed will be the Misc. Content Envelope with Wago Connector and Mounting Screws for the following step. Safely set aside the Glass Globe, Tech Assembly, and Lightbulb in a safe place for later assembly.
2. Using the enclosed Wago Connectors connect the grounding wire to the copper lead on the Trimless Plate and use the remaining two Wago Connectors to cap the hot and neutral wires from the junction box. In some cases, it may be necessary to create wiring pigtails to power the fixture. Testing and confirming that the junction box wiring is correct and working is recommended before moving on to the next step.
3. Cover the back of the Trimless Plate with construction adhesive (not provided) and thread the capped wires through the large hole in the center cup of the Trimless Plate. Connect the Plate to the junction box with the enclosed Mounting Screws. The Trimless Plate does not have a particular orientation and comes pre-drilled with holes spaced at various standard dimensions so it might be necessary to rotate the Plate to find alignment. Once connected to the junction box, use drywall screws (not provided) to secure the outer edge of the Trimless Plate to the drywall or mounting substrate.



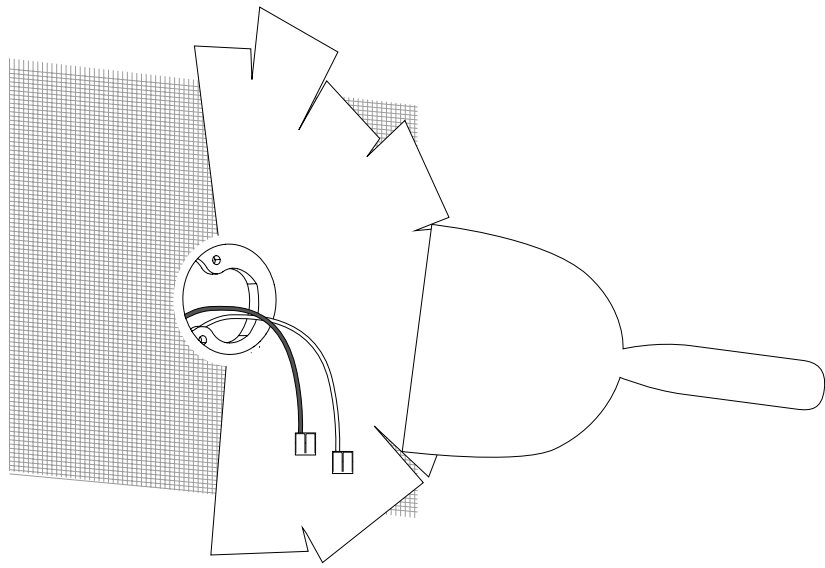
4. After attaching the Trimless Plate to the wall, take care to ensure the Wago Connectors are secure and out of the way for paint or finishing. They can be taped together and left hanging out or carefully pushed into the center cup of the Trimless Plate, take care to not push them completely into the junction box.

5. At this time it is a good idea to confirm that the Trimless Plate has been installed correctly and is plumb and flat against the drywall or substrate. This can be done by pushing aside the wires and placing a small level against the edge of the center cup on the Trimless Plate.

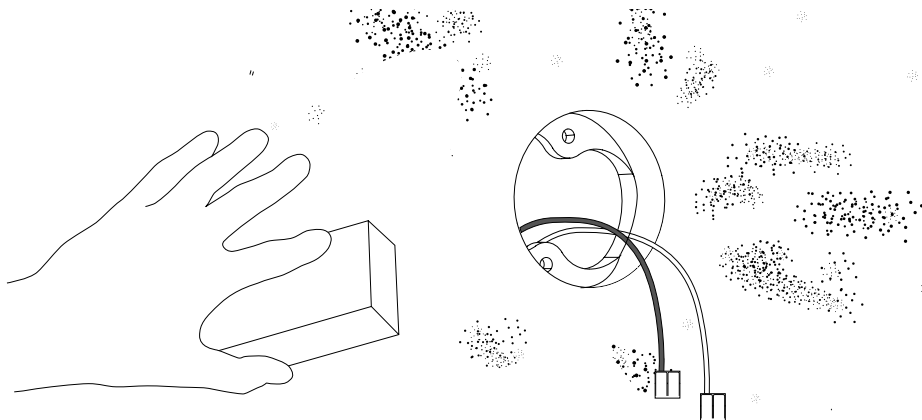
**Drywall Installation** ( for installations on Tile, Stone or Wood surfaces go to step 6B)

6A. Cover the Trimless Plate with fiberglass tape and spread the mudding compound outward from the Trimless Plate to a diameter of about 2 to 3 ft.

Note: Make sure not to cover the center cup with fiberglass tape or mudding compound.



7A. Once the mudding compound has dried, use sandpaper to smooth out the compound to achieve an even, blended surface. The final mudded surface should have a very slight taper from the inner rim of the Trimless Plate to the drywall. It may be necessary to apply multiple coats of compound to achieve the desired finish. Once the final finish is achieved, paint can be applied.



## Tile, Stone or Wood Installation

6B. With the Trimless Plate installed, it is important to prepare the final wall covering correctly. The center cup of the Trimless Plate is designed to slip into a 1 1/2" drilled hole. Careful measuring and marking for the location of this hole is required to achieve a seamless installation. With the location confirmed, carefully drill a hole in the wall covering using a material-appropriate 1 - 1/2" drill bit.

Note: The overall diameter of the Fixture base is 1 5/8," which allows some overlap on the drilled hole edge, but we recommend using blue masking tape on the final wall covering when drilling holes to reduce the chance of tearing out or chipping.

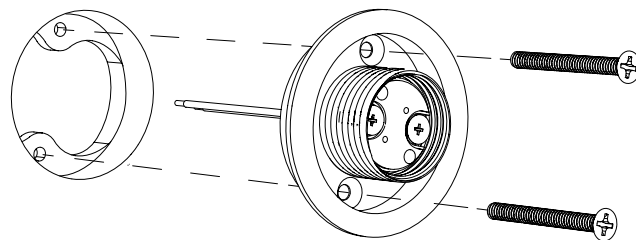
7B. On tile or stone surfaces, the grout or adhesive should be thick enough to absorb the extra thickness of the Trimless Plate and Mounting Screws. In some wood installations, it may be necessary to either countersink the Trimless Plate to further recess the mounting screws or use a router to relieve the back of the wood cladding by 1/8" to create room for the Trimless Plate and mounting screws.

## Final Installation

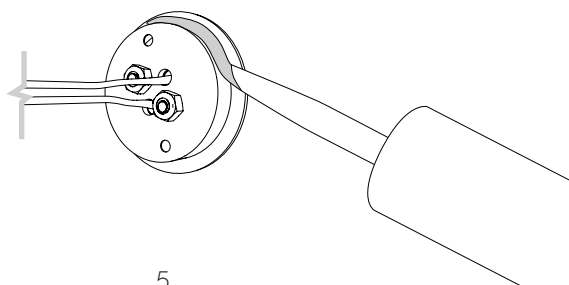
With the Trimless Plate and the final wall or covering complete, it is time to locate the set-aside Glass Globe, Tech Base Assembly, and Lightbulb and finish the installation. Before continuing, please ensure that the power to the junction box is turned off.

8. First uncover the Wago Connectors out of the center cup or tape and use them to gently pull the electrical wires out of the junction box to facilitate wiring.

9. Connect the wires from the back of the Tech Assembly to the building's electrical wires. Taking care not to pinch wires, push the Tech Assembly into the Trimless Plate or drilled hole and connect using either the short or long Mounting Screws.

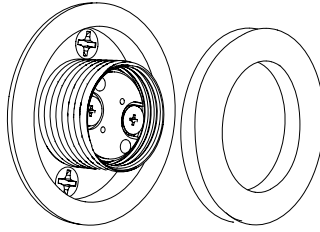


Note: If installing in an exterior application it is necessary to apply a thin bead of exterior-rated silicone (not provided) to the interior rim of the Tech Assembly before connecting with screws. If silicone is applied, wipe any excess from the Tech Assembly and surrounding surface after installation.

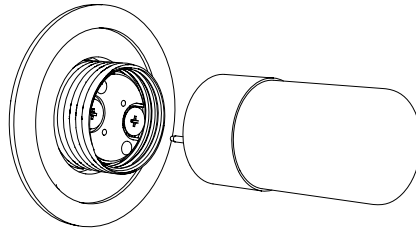


10. With the Tech Assembly connected, place the Rubber Gasket around the threaded socket and into the recess until it lies flat.

Note: Screws from the previous step must be flush with the bottom for proper installation. If the Rubber Gasket needs to be removed carefully use a small flathead screwdriver to pry and remove.



11. Plug in the Lightbulb.



12. Carefully slide the Glass Globe over the Lightbulb and screw it onto the Threaded Socket Assembly. Tighten the Globe to the desired orientation. The Rubber Gasket will allow for small adjustments to orientation, but care must be taken not to overtighten. Loosening the Globe might in some cases be the best way to achieve the desired orientation.

13. Turn on and enjoy!

#### NOTES / TROUBLESHOOTING

The Glass Globe on your Pearl fixture allows adjustment to orientation. To adjust the Glass Globe, rotate it clockwise or counterclockwise to achieve the desired orientation.

Due to the delicate nature of the Glass Globe, it is highly recommended to clean your hands (and consider wearing gloves) before installing or adjusting your Pearl fixture.

Care should be taken to ensure the lightbulb does not come off when the glass globe is removed. Should this happen the bulb can be removed with pliers.

Extra drywall that slips into the Trimless plate should be removed using a knife prior to installing Tech Assembly.

To clean your Glass Globe, compressed air is recommended to blow away dust and dirt particles. A damp microfiber cloth can be used for additional cleaning.