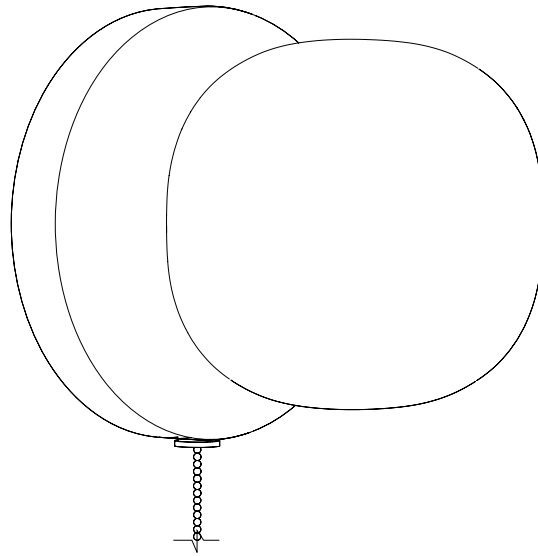


RAVENHILL STUDIO

2122 Cypress Ave, Los Angeles, CA 90065
323.977.8532, contact@ravenhillstudio.com



We recommend that a professional electrician install our Pearl Pull Chain. Please share this guide with them and ensure they read the instructions completely before beginning assembly.

Your Pearl Pull Chain comes packaged in (5) individual parts and packets:

Glass Globe

Tech Assembly

Canopy Assembly

G8 Lightbulb

Misc Contents Envelope


Terminal Blocks (4)
Mounting Screws (2)

Included with your Pearl Fixture is a 4.5-watt or 7-watt LED Lightbulb.

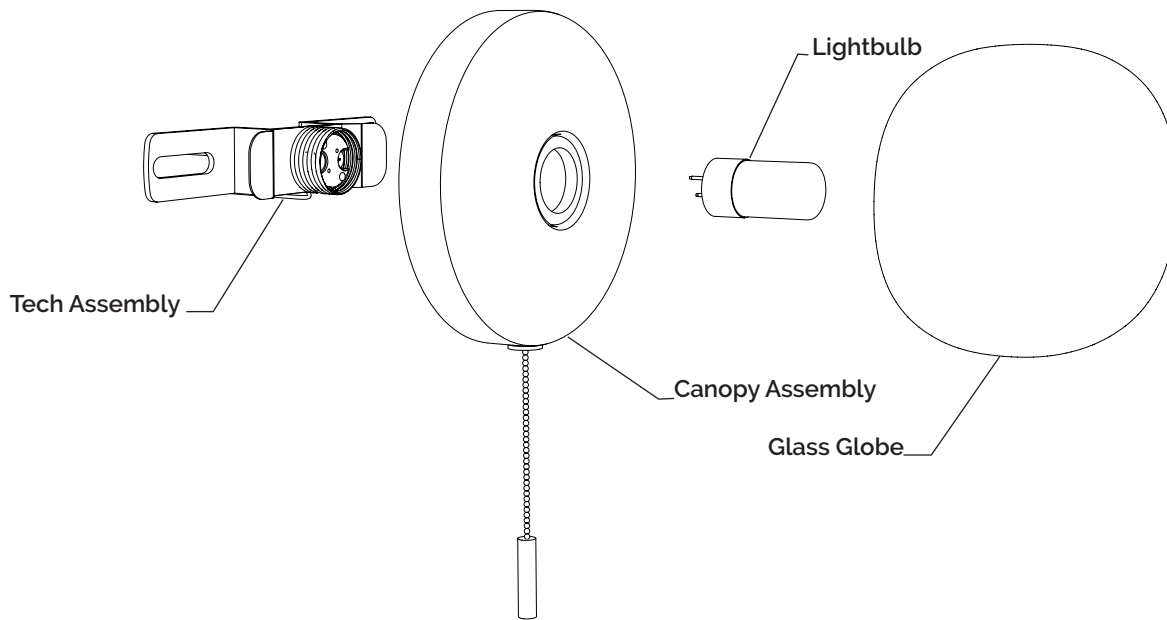
The Lightbulb is a warm white (2700K) G8 and delivers 450-700 lumens.

The Lightbulb is JA8 certified and has a 15,000-hour lifetime.

G8 Lightbulb Only. 7W Max.

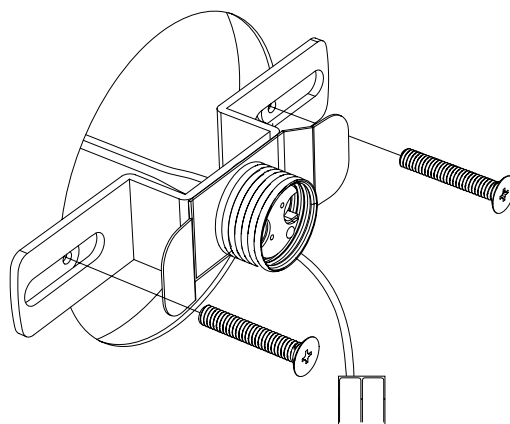
 **CAUTION:** Before starting, turn off power at main circuit power.

Your Pearl Sconce Pull Chain Assemblies are joined together as shown in the picture below:

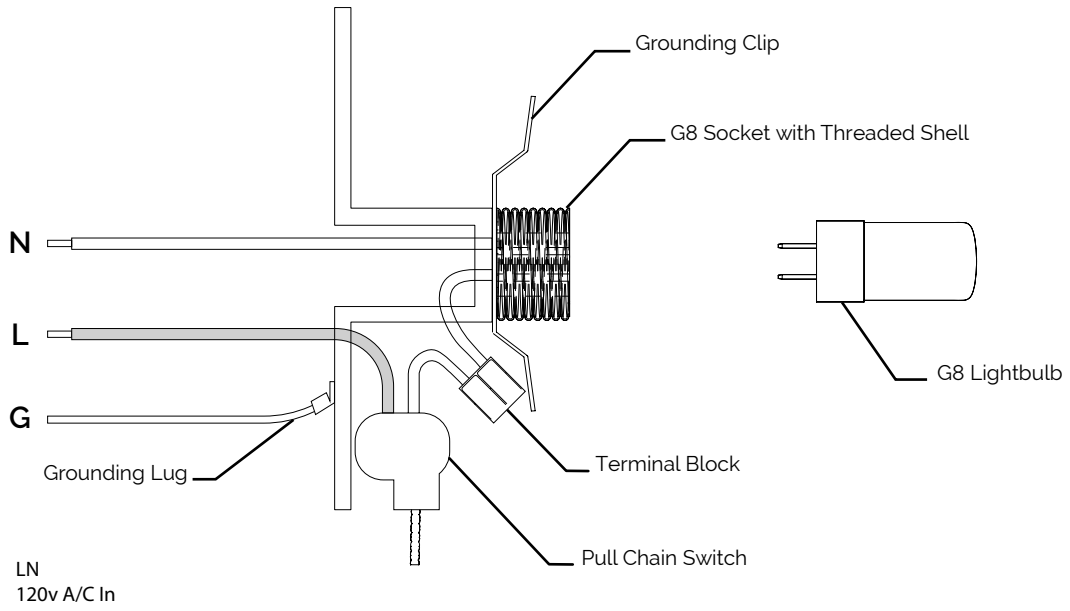


Your Pearl Pull Chain includes a Glass Shade, which is vulnerable to scratching or staining if care is not taken. Before installing or adjusting your Pearl fixture, it is highly recommended that you clean your hands or wear gloves and only adjust the Globe as described in the notes below. Failure to do so may result in scratches or stains.

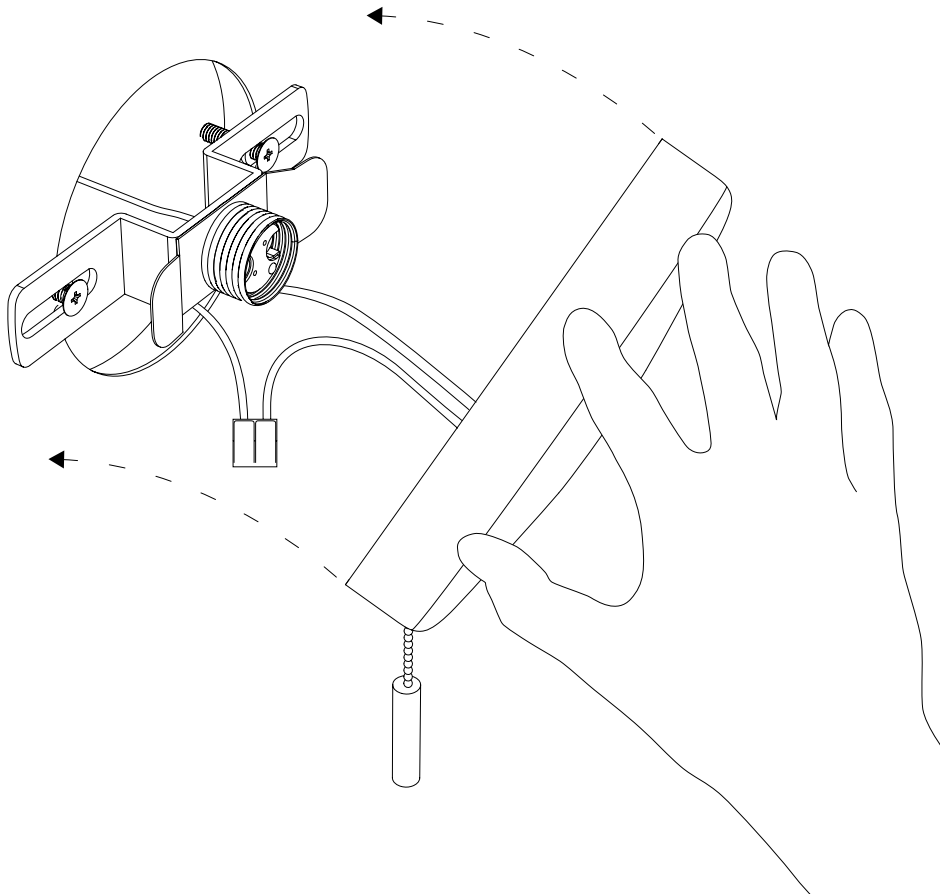
1. Unpack your box and open the Tech Assembly package, the envelope labeled miscellaneous contents.
2. Safely set the Glass Globe and Lightbulb on a clean and level surface.
3. Connect the neutral wire to the neutral line in the junction box and ground the copper wire properly. For now, leave the hot wire capped with a terminal block.
4. Secure the Mounting Bracket to the junction box with the Mounting Screws.



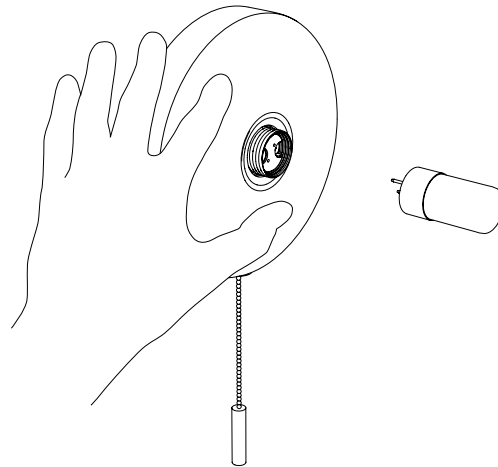
5. Connect one wire from the Pull Chain Switch to the hot wire on the Socket Assembly and the other wire from the switch to the junction box hot wire.



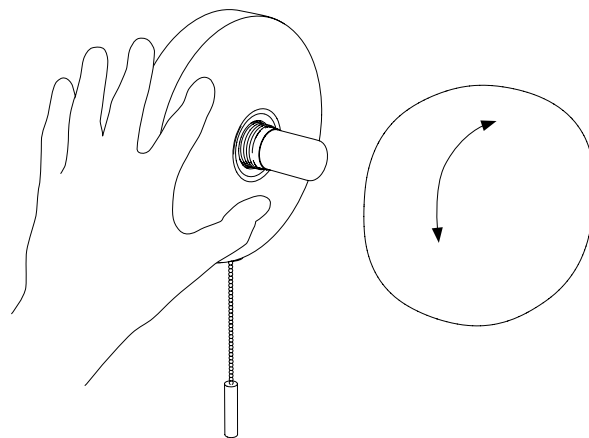
6. Place the Canopy on top of the Tech Assembly, tidy the wires, and secure it with one hand for the following steps.



7. Plug in the Lightbulb.



8. Carefully slide the Glass Globe over the Lightbulb, thread the Globe onto the Tech Assembly, and tighten it to the desired orientation. The rubber will allow for small adjustments to orientation, but care must be taken not to overtighten. Loosening the Globe might in some cases be the best way to achieve the desired orientation.



9. Turn on and enjoy!

NOTES / TROUBLESHOOTING

The Glass Globe on your Pearl fixture allows adjustment to orientation. To adjust the Glass Globe just rotate clockwise or counterclockwise to achieve desired orientation.

Due to the delicate nature of the Glass Globe and Canopy, it is highly recommended to clean your hands (and consider wearing gloves) before installing or adjusting your Pearl fixture.

Care should be taken to make sure the Lightbulb does not come off when removing the Glass Globe. Should this happen the bulb can be removed with pliers.

To clean your Glass Globe, compressed air is recommended to blow away dust and dirt particles. A damp microfiber cloth can be used for additional cleaning.