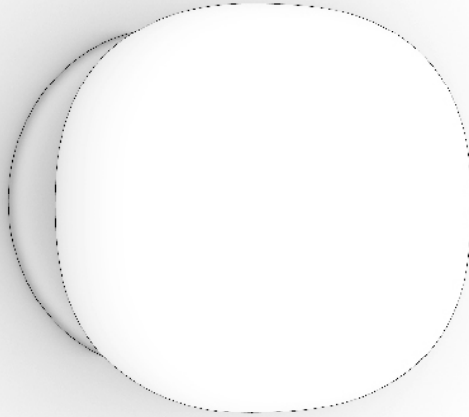


RAVENHILL STUDIO

2122 Cypress Ave, Los Angeles, CA 90065
323.977.8532, contact@ravenhillstudio.com



We recommend that a professional electrician install our Pearl Fixture. Please share this guide with them and ensure they read the instructions completely before beginning assembly.

Your Pearl Fixture comes packaged in (5) individual parts and packets:

Glass Globe

Tech Assembly

Canopy Assembly

G8 Lightbulb

Misc Contents Envelope

Wire Nuts (3)
Mounting Screws (2)


Included with your Pearl Fixture is a 4.5-watt or 7-watt LED Lightbulb.

The Lightbulb is a warm white (2700K) G8 and delivers 450-700 lumens.

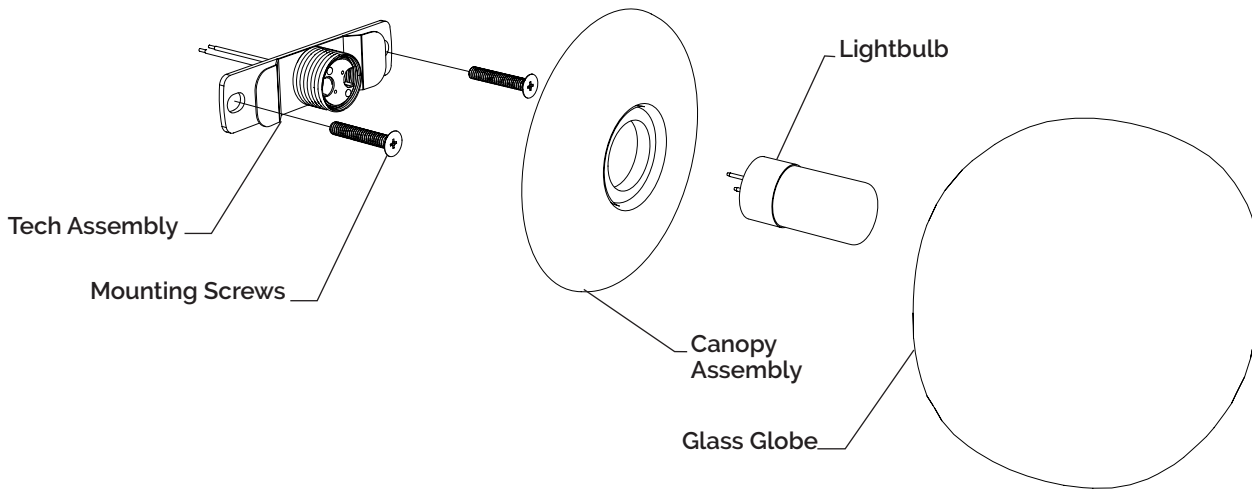
The Lightbulb is JA8 certified and has a 15,000-hour lifetime.

G8 Lightbulb Only. 7W Max.

Pearl 4 & 6 are rated for wet locations when installed with sealant (see steps 5-7).

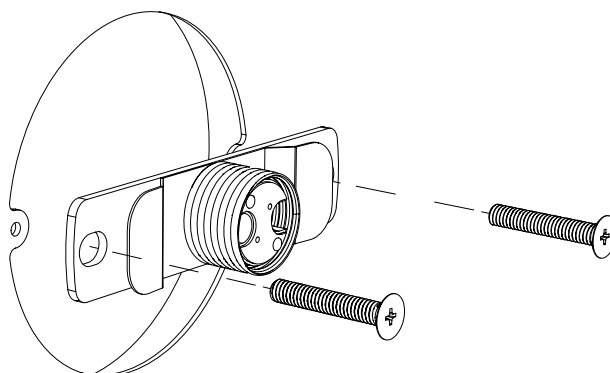
 **CAUTION:** Before starting, turn off power at main circuit power.

Your Pearl Fixture Assemblies are joined together as shown in the picture below:

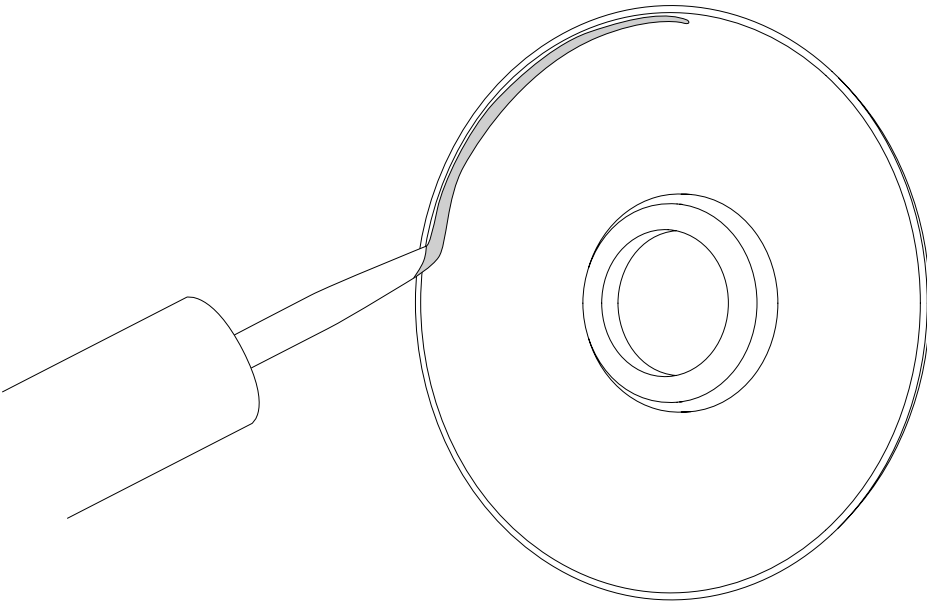


Your Pearl Fixture includes a Glass Shade, which is vulnerable to scratching or staining if care is not taken. Before installing or adjusting your Pearl fixture, it is highly recommended that you clean your hands or wear gloves and only adjust the Globe as described in the notes below. Failure to do so may result in scratches or stains.

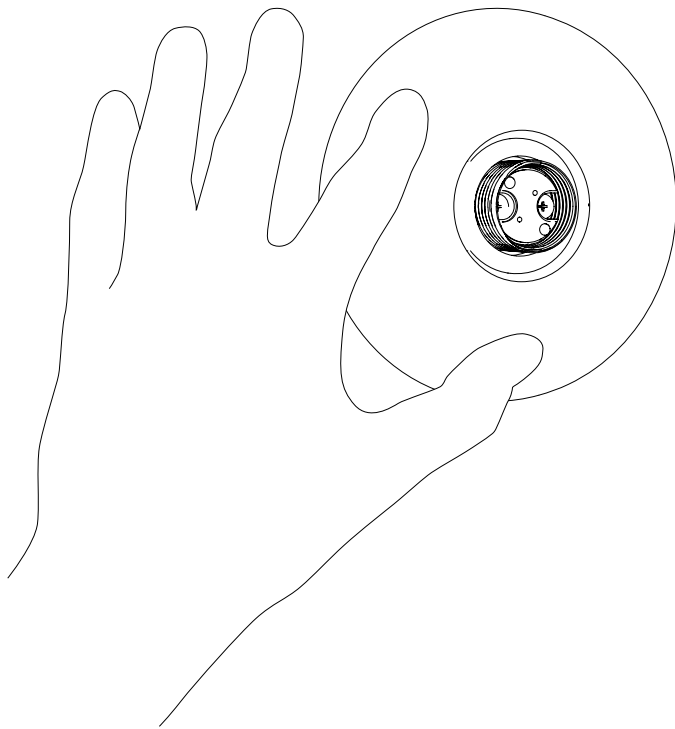
1. Unpack your box and open the Tech Assembly package, the envelope labeled miscellaneous contents.
2. Safely set the Glass Globe and Lightbulb on a clean and level surface.
3. Connect the Electrical Wires to the junction box power using Wire Nuts.
4. Secure the Mounting Bracket to the junction box with the Mounting Screws.



5. If installing an exterior application, it is necessary to apply a thin bead of exterior-rated silicone (not provided) to the interior rim of the canopy.

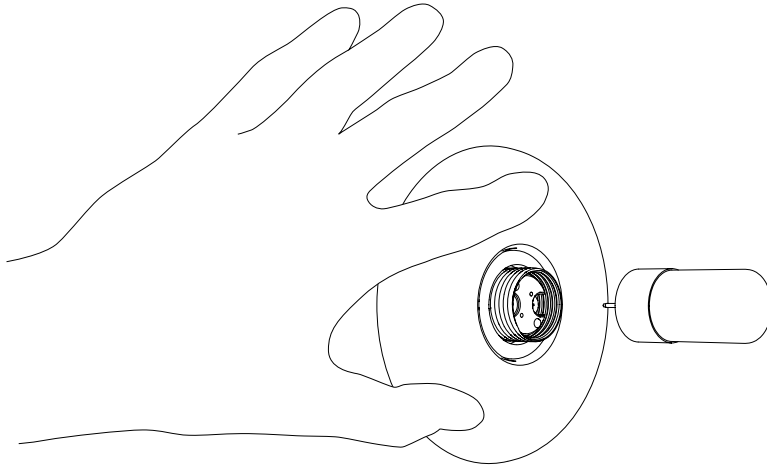


6. Place the Canopy on top of the Tech Assembly and secure it with one hand for the following steps.

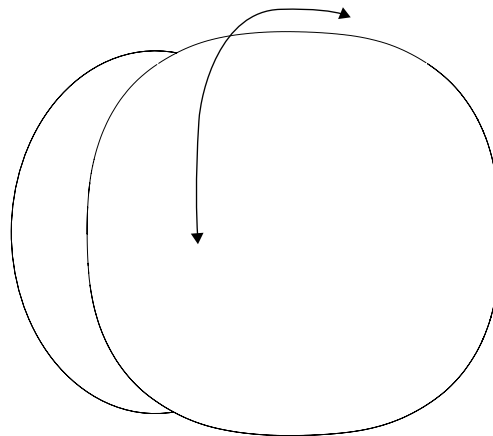


7. If applying silicone, wipe any excess silicone from the canopy and surrounding surface after assembly.

8. Plug in the Lightbulb.



9. Carefully slide the Glass Globe over the Lightbulb, thread it onto the Tech Assembly, and tighten it to the desired orientation. The rubber will allow for minor orientation adjustments, but care must be taken not to overtighten. Loosening the Globe might, in some cases, be the best way to achieve the desired orientation.



10. Turn on and enjoy!

NOTES / TROUBLESHOOTING

The Glass Globe on your Pearl fixture allows adjustment to orientation. To adjust the Glass Globe just rotate clockwise or counterclockwise to achieve desired orientation.

Due to the delicate nature of the Glass Globe and Canopy, it is highly recommended to clean your hands (and consider wearing gloves) before installing or adjusting your Pearl fixture.

Care should be taken to make sure the Lightbulb does not come off when removing the Glass Globe. Should this happen the bulb can be removed with pliers.

To clean your Glass Globe, compressed air is recommended to blow away dust and dirt particles. A damp microfiber cloth can be used for additional cleaning.