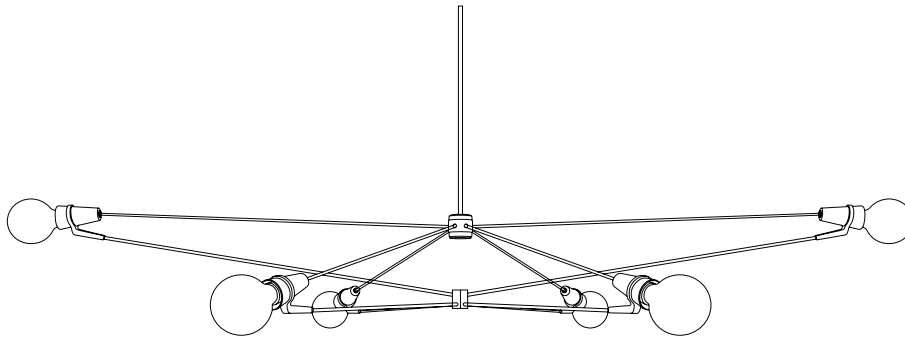


RAVENHILL STUDIO

2122 Cypress Ave, Los Angeles, CA 90065
323.977.8532, contact@ravenhillstudio.com



We recommend installation of our Long Church Chandelier by a professional. Please share this guide with your electrician.

Read instructions completely before beginning assembly, and consider having a friend nearby in case you need an extra set of hands.

Your Long Church Chandelier consists of **(9)** individual parts:

(1) Long Church Chandelier

(1) Centering Block

(1) Canopy Assembly

(6) Light Bulbs

The Long Church Chandelier is a tensegrity structure that stays together with a minimum of parts. Each element is working to its fullest, so assembly takes a little extra attention and care. If the external flexible cable or cord of this luminaire is damaged, it shall be exclusively replaced by the manufacturer or his service agent or a similar qualified person in order to avoid a hazard.

1. Unpack Chandelier and arrange the pieces on a large flat surface. Arrange arms around the central wire hub and straighten out any twists in the cords. (The wire has a flat profile that should run straight to the socket.) Remove plastic netting on metal rods. Packaging on the sockets can be left on for protection until assembly is complete.

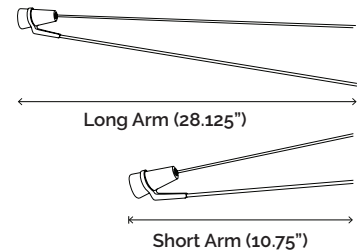
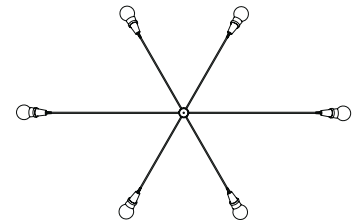
2. Locate the Centering Block, noting which side is marked 'TOP'. Insert the four SHORTER arm rods into the BOTTOM holes of the Centering Block, one at a time, while securely holding the Centering Block between your thumb and forefinger. The SHORTER arms of the Pendant should slope downward at a slight angle when installed.


Included with your Church Chandelier are six LED 7 watt light bulbs.

The bulbs are warm white (2700K) G25s and each delivers 800 lumens.

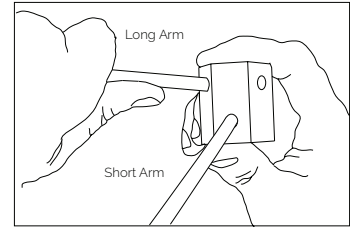
The bulbs are JA8 certified and have a 15,000 hr lifetime.

G25 bulb recommended. 60W Max

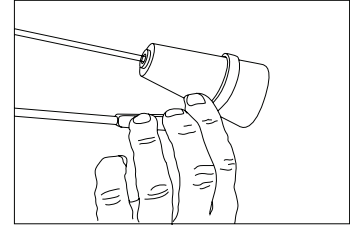


 **CAUTION:** Before starting, turn off power at main circuit power.

3. Then, insert the two rods of the LONGER arms into the top holes of the Centering Block. The LONGER arms of the Pendant should angle upward when installed. The last arm will require a bit more effort to insert as it is the final component of the tensegrity structure.



4. When all of the rods have been inserted into the Centering Block, the arms can be straightened by gently twisting the collar around the socket cone.



5. Disconnect power source before connecting the fixture to the ceiling junction box. Please follow separate CANOPY/CEILING MOUNT INSTRUCTIONS. Once the fixture has been connected, insert Light Bulbs, turn on, and enjoy.



TROUBLE SHOOTING

I REMOVED THE STICKER ON THE CENTERING BLOCK AND I DON'T KNOW WHICH END IS UP

The holes are drilled at a 4 degree angle. When the lower, shorter rods are inserted, they should slope away downward from the Centering Block. If these rods have an upward slope when inserted, they are either in the wrong holes or the Block is upside down. If necessary, flip the Centering Block right-side-up, and repeat installation.

IT'S DIFFICULT TO PUT THE RODS IN THE CENTERING BLOCK

A tight, tensioned fit is normal – this creates a rigid structure when complete. Make sure that all the rods have bottomed out in the holes and that you are inserting the rods at the correct angle. If still having trouble, apply a drop of WD40 on the tip of the rod to ease installation.