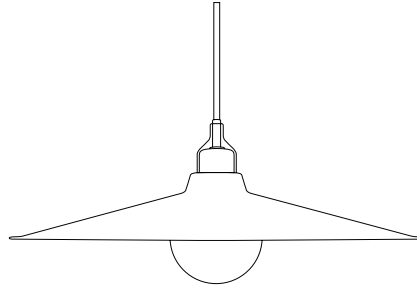


RAVENHILL STUDIO

2122 Cypress Ave, Los Angeles, CA 90065
323.977.8532, contact@ravenhillstudio.com



We recommend installation of our Grain Pendant by a professional electrician. Please share this guide with your electrician.

Your Grain Pendant consists of **(7)** individual parts:

- (1) Shade**
- (1) Glass Socket**
- (1) LED Light Bulb**
- (1) Canopy Assembly**
- (3) Wire Nuts**

1. Remove foam wrapping from Glass Socket. Pull Cloth-Covered Cord through the top of the Shade. The lip of the Glass Socket should sit even with lip on the inside of the top of the Shade.

2. Slide Brass Knurled Nut, Canopy, Threaded Rod, Mounting Crossbar, and Cord Grip over the Cloth-Covered Cord. (See image for reference)

NOTES: Loosen set screw inside Cord Grip in order to pull the Cloth-Covered Cord all the way through. Cord Grip should be installed above the crossbar, within your junction box.

3. Determine the hanging length of your Grain Pendant by positioning assembled fixture in desired location. Once height has been determined tighten the Cord Grip set screw.

4. Attach the Mounting Cross Bar to your junction box with Mounting Screws. Cut any excess Cloth-Covered Cord, strip the wire ends and attach to your power source with Wire Nuts.

5. Slide the Canopy up to the ceiling and secure in place by tightening the Knurled Nut over the bottom of the Threaded Rod (Knurled Nut should be adjusted so that bottom of the Nut is flush with bottom of Threaded Rod).

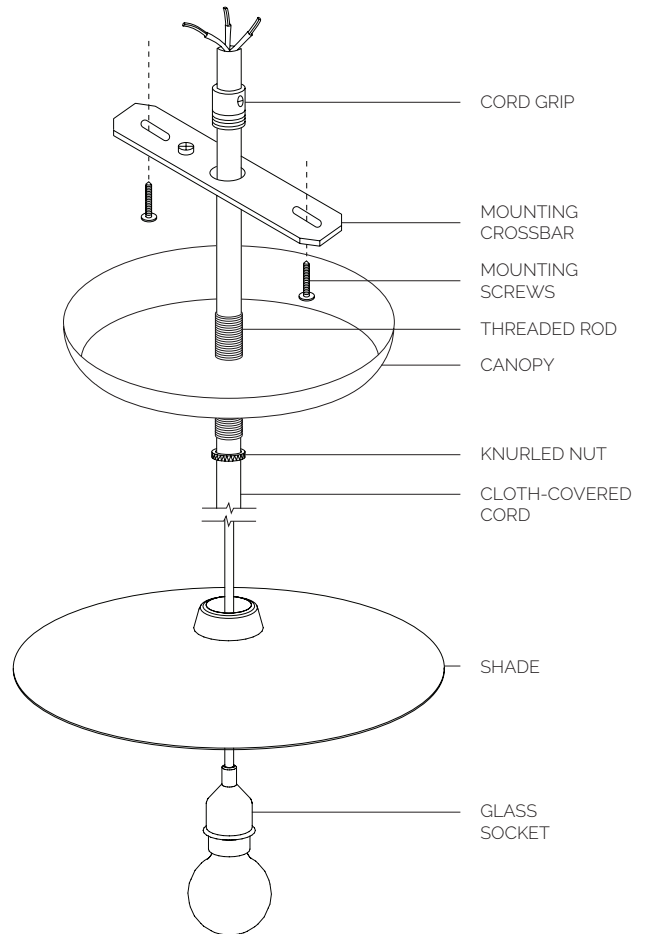
6. Insert Light Bulb into fixture and enjoy!

Included with your Grain Pendant is an LED 7 watt light bulb.

The bulb is a warm white (2700K) G25 and delivers 800 lumens.

The bulb is JA8 certified and has a 15,000 hr lifetime.

G25 bulb recommended. 60W Max



⚠ CAUTION: Before starting, turn off power at main circuit power.



