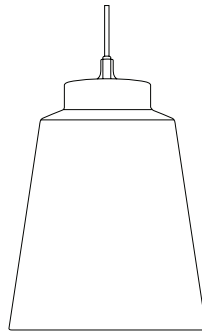


RAVENHILL STUDIO

2122 Cypress Ave, Los Angeles, CA 90065
323.977.8532, contact@ravenhillstudio.com



We recommend installation of our Grain Barrel by a professional electrician. Please share this guide with them.

Your Grain Barrel consists of (7) individual parts:

- (1) Shade
- (1) Glass Socket
- (1) LED Light bulb
- (1) Canopy Assembly
- (3) Wire Nuts

1. Remove foam wrapping from Glass Socket. Pull Cloth-Covered Cord through the top of the Shade. The lip of the Glass Socket should sit evenly with the lip on the inside of the top of the Shade.

2. Slide Knurled Nut, Canopy, Threaded Rod, Mounting Crossbar, and Cord Grip over the Cloth-Covered Cord. (See image for reference)

NOTES: Loosen set screw inside Cord Grip in order to pull Cord all the way through. Cord Grip should be installed above the Crossbar, within your junction box.

3. Determine the hanging length of your Grain Barrel by positioning assembled fixture in desired location. Once height has been determined, tighten the Cord Grip set screw to lock Cord in place. (Cord Grip, Threaded Rod, and Mounting Crossbar will all thread together.)

4. Attach the Crossbar to your junction box with Mounting Screws. Cut off any excess length of Cord, strip the wire ends and attach to your power source with provided Wire Nuts.

5. Slide the Canopy up to the ceiling and secure in place by tightening the Knurled Nut over the bottom of the Threaded Rod (Knurled Nut should be adjusted so that the Nut is flush with bottom of Threaded Rod.)

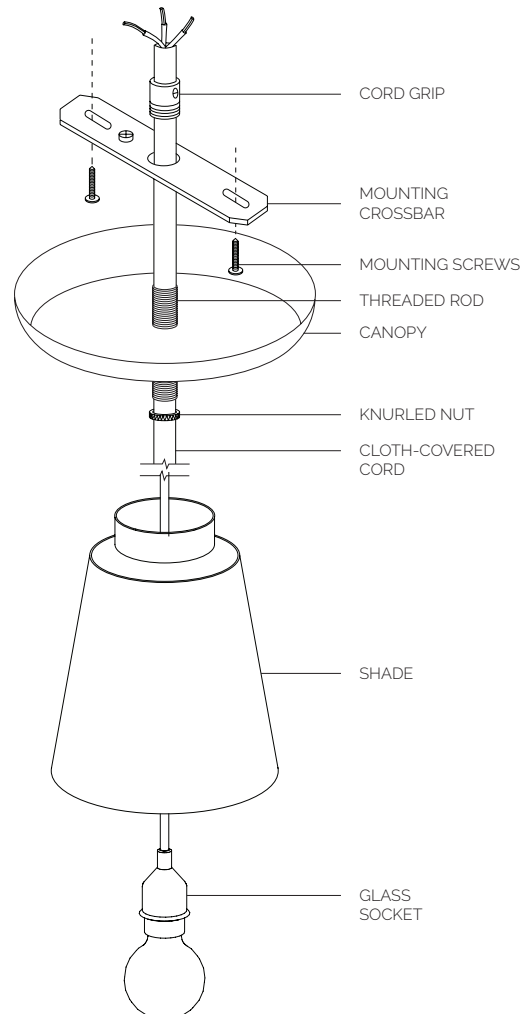
6. Insert Light Bulb into fixture and enjoy!

Included with your Grain Barrel is an LED 7 watt light bulb.

The bulb is a warm white (2700K) G25 and delivers 800 lumens.

The bulb is JA8 certified and has a 15,000 hr lifetime.

G25 bulb recommended. 60W Max



CAUTION: Before starting, turn off power at main circuit power.



