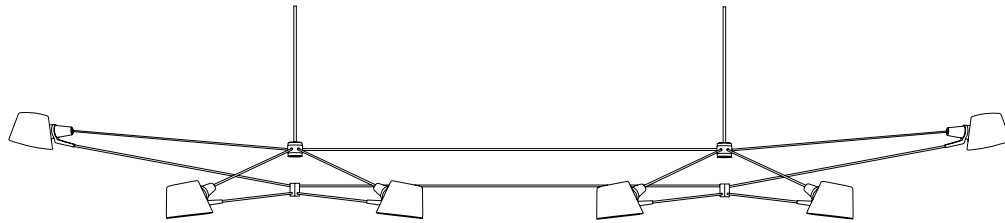


RAVENHILL STUDIO

2122 Cypress Ave, Los Angeles, CA 90065
323-977-8532, contact@ravenhillstudio.com



We recommend installation of our Double Pivot Chandelier by a professional. Please share this guide with your electrician.

Read instructions completely before beginning assembly, and consider having a friend nearby in case you need an extra set of hands.

Your Double Pivot Chandelier consists of **(16)** individual parts:

- (1) Double Pivot Chandelier**
- (2) Canopy Assemblies**
- (2) Centering Blocks**
- (1) Centering Rod**
- (10) Light Bulbs**

Included with your Pivot Double Chandelier are ten LED 7 watt light bulbs.

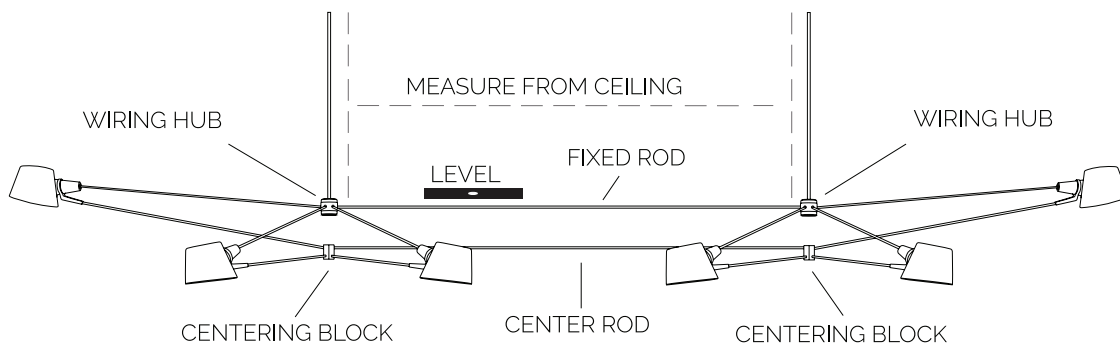
The bulbs are warm white (2700K) G25s and each delivers 800 lumens.

The bulbs are JA8 certified and have a 15,000 hr lifetime.

G25 bulb recommended. 60W Max

The Double Pivot Chandelier is a tensegrity structure that stays together with a minimum of parts. Each element is working to its fullest, so assembly takes a little extra attention and care. If the external flexible cable or cord of this luminaire is damaged, it shall be exclusively replaced by the manufacturer or his service agent or a similar qualified person in order to avoid a hazard.

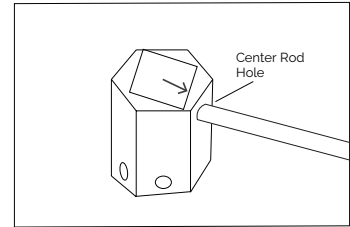
1. Turn off main power source before connecting the fixture to your junction boxes. Please follow separate Canopy/Ceiling Mount Instructions. The fixture will be easier to assemble once suspended from the ceiling. In order for the fixture to hang level, measure the same drop length from the ceiling to the Wiring Hubs (unless installing on a sloped ceiling.) Double check the fixture with a level on the fixed rod.



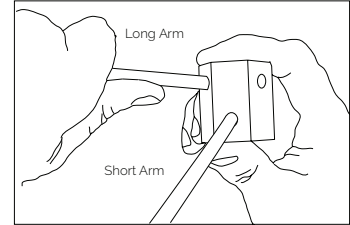
CAUTION: Before starting, turn off power at main circuit power.



2. Locate the Centering Blocks. The tops of these Blocks are labeled with an arrow indicating the Center Rod hole and they should point toward each other (though Center Rod itself will be installed last; the other arms should be installed first.) Choose a side and, while holding one Centering Block between your thumb and forefinger, begin inserting the four SHORTER arm rods into the BOTTOM holes of the Centering Block. The shorter arms of the Chandelier should slope downward at a slight angle.

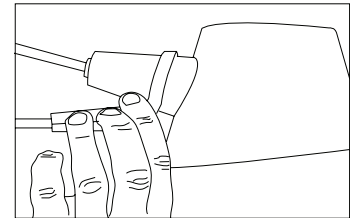


3. Then, insert the LONGER arm rod into the top hole of that Centering Block (the hole that is opposite the Center Rod hole.) The longer arms of the Chandelier should angle upward. Repeat these steps on the other side of the fixture, inserting all arms into the second Centering Block. Lastly, insert the Center Rod into the two designated holes to complete the fixture.

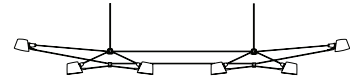


4. When all of the rods have been inserted, straighten the collar that holds the shade by grasping the collar and gently twisting the rod inside the Centering Block.

Once the collars have been adjusted, the metal shades can also be adjusted to the desired orientation. They are designed to rotate 180° in either direction. Adjust the shades by holding the collar with one hand, lifting the arm out of tension, and rotating the shade within the collar with your free hand.



5. Reconnect power source, insert Light Bulbs and enjoy.



TROUBLE SHOOTING

I REMOVED THE STICKER ON THE CENTERING BLOCK AND I DON'T KNOW WHICH END IS UP

When the Block is oriented correctly, there are two holes at the top of the Block and four holes at the bottom of the Block. One of the top holes is drilled at an angle and should face AWAY from the center of the Chandelier. The other top hole is drilled straight and should face the center of the Chandelier.

IT'S DIFFICULT TO PUT THE RODS IN THE CENTERING BLOCK

A tight, tensioned fit is normal – this creates a rigid structure when complete. Make sure that all the rods have bottomed out in the holes and that you are inserting the rods at the correct angle. If still having trouble, apply a drop of WD40 on the tip of the rod to ease installation.