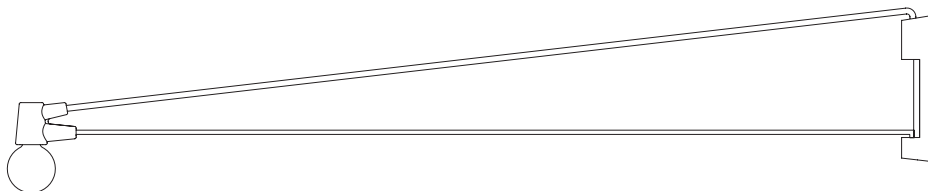


# RAVENHILL STUDIO

2122 Cypress Ave, Los Angeles, CA 90065  
323.977.8532, contact@ravenhillstudio.com



We recommend installation of our Cord Sconce by a professional electrician. Turn off electrical power before beginning installation and use caution while installing.

Your Cord Sconce kit consists of **(6)** individual parts:

**(1) Cord Sconce**

**(2) Mounting Screws**

**(1) Light Bulb**

**(2) Wire Nuts**

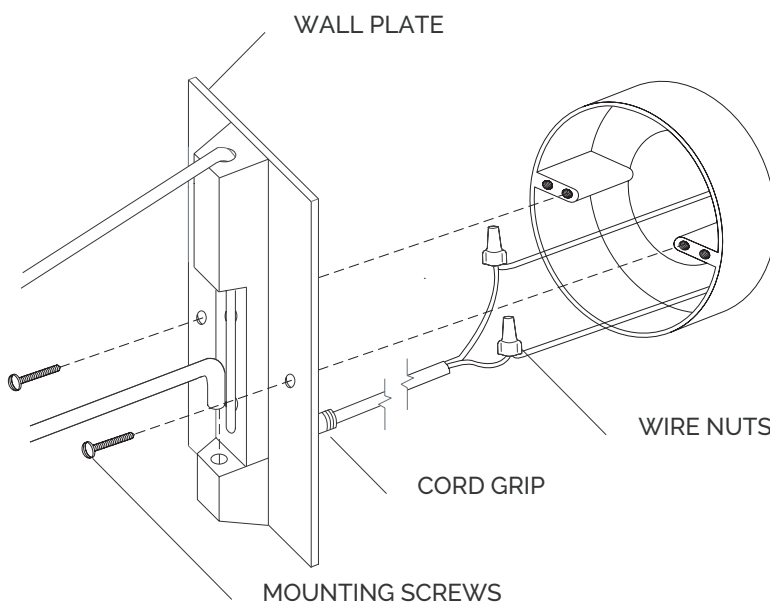
Included with your Cord Sconce is a **25 watt incandescent light bulb.**

The bulb is a warm white (2700K) G16.5 and delivers 250 lumens.

The bulb is JA8 certified and has a 2,000 hr lifetime.

G16.5 bulb recommended. 60W Max

1. Your Cord Sconce has been preadjusted to have the proper tension in the electrical cord. Should you wish, tension can be changed by adjusting Set Screw on Cord Grip.
2. Connect electrical cord to power supply with Wire Nuts. Tuck wires into junction box.
3. Thread Mounting Screws through Wall Plate into junction box. Tighten Mounting Screws so that Wall Plate sits flush with wall.
4. Insert Light Bulb into fixture, turn on and enjoy!



**⚠ CAUTION:** Before starting, turn off power at main circuit power.

