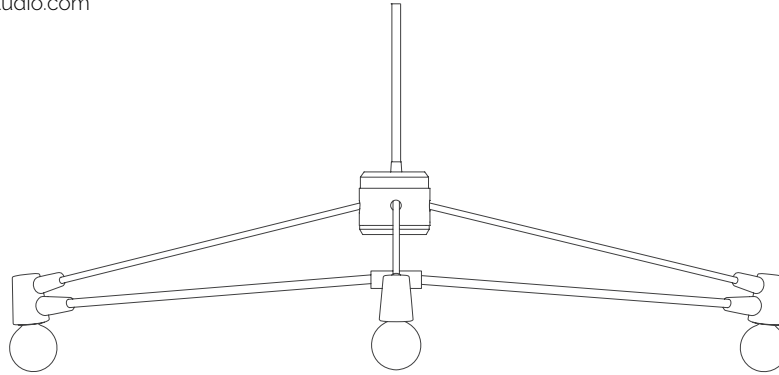


RAVENHILL STUDIO

2122 Cypress Ave, Los Angeles, CA 90065
323-977-8532, contact@ravenhillstudio.com



We recommend installation of our Cord Pendant by a professional. Please share this guide with your electrician.

Read instructions completely before beginning assembly, and consider having a friend nearby in case you need an extra set of hands.

Your Cord Pendant consists of **(6)** individual parts:

- (1) Cord Pendant**
- (1) Centering Block**
- (1) Canopy Assembly**
- (3) Light Bulbs**

The Cord Pendant is a tensegrity structure that stays together with a minimum of parts. Each element is working to its fullest, so assembly takes a little extra attention and care. If the external flexible cable or cord of this luminaire is damaged, it shall be exclusively replaced by the manufacturer or his service agent or a similar qualified person in order to avoid a hazard.

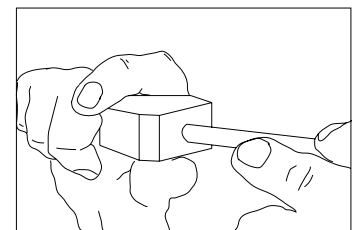
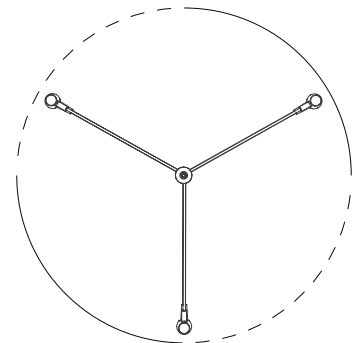
1. Unpack Pendant and arrange the pieces on a large flat surface. Arrange arms around the central wire hub and straighten out any twists in the cords. (The wire has a flat profile that should run straight to the socket.) Remove plastic netting on metal rods. Packaging on the sockets can be left on for protection until assembly is complete.
2. Locate the Centering Block. This will be the central connection for the arms of the Pendant. Note the sticker marked 'TOP' indicating which side faces up, toward the ceiling. Insert the metal rods into the holes of the Centering Block, one at a time, while securely holding the Centering Block between your thumb and forefinger. The last arm will be slightly more difficult to insert as tension increases.


Included with your Cord Pendant are three 25 watt incandescent light bulbs.

The bulbs are warm white (2700K) G16.5s and each delivers 250 lumens.

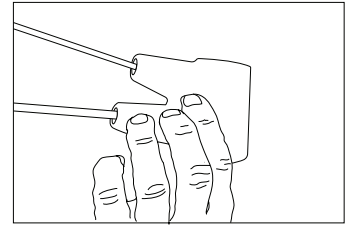
The bulbs are JA8 certified and have a 2,000 hr lifetime.

G16.5 bulb recommended. 60W Max

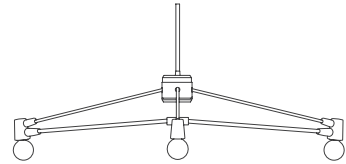


 **CAUTION: Before starting, turn off power at main circuit power.**

3. When all of the rods have been inserted into the Centering Block, the sockets can be straightened by gently rotating them in a clockwise/counter-clockwise motion.



4. Disconnect power source before connecting the fixture to the ceiling junction box. Please follow separate CANOPY/CEILING MOUNT INSTRUCTIONS. Once the fixture has been connected, insert light bulbs, turn on, and enjoy.



TROUBLE SHOOTING

I REMOVED THE STICKER ON THE TRIANGULAR BLOCK AND I DON'T KNOW WHICH END IS UP

The holes in the Centering Block are drilled at a 4 degree angle. When the Centering Block is oriented correctly, the arms of the Pendant should slope downward at a slight angle. If these rods have an upward slope when inserted, the block is upside down. Remove the rods, flip the block right-side-up, and repeat installation.

IT'S DIFFICULT TO PUT THE RODS IN THE TRIANGULAR BLOCK

A tight, tensioned fit is normal – this creates a rigid structure when complete. Make sure that all the rods have bottomed out in the holes and that you are inserting the rods at the correct angle. If still having trouble, apply a drop of WD40 on the tip of the rod to ease installation.