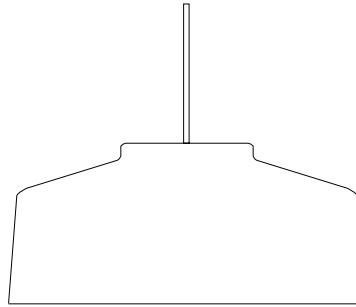


RAVENHILL STUDIO

2122 Cypress Ave, Los Angeles, CA 90065
323.977.8532, contact@ravenhillstudio.com



We recommend installation of our Grain Drum 33 by a professional electrician. Please share this guide with them.

Your Grain Drum 33 consists of **(12)** individual parts:

- | | |
|----------------------------|----------------------------|
| (1) Canopy Assembly | (4) LED Light Bulbs |
| (1) Shade | (1) Socket Assembly |
| (1) Reflector | (3) Wire Nuts |
| (1) Finish Nut | |

1. Slide Knurled Nut, Canopy, Threaded Rod, Mounting Crossbar, and Cord Grip over the Cloth-Covered Cord.

NOTES: Loosen Set Screw inside Cord Grip in order to pull Cord all the way through. Cord Grip should be installed above the Crossbar, within your junction box.

2. Determine the hanging length of your Grain Drum 33 and tighten the Cord Grip set screw.

3. Attach the Mounting Crossbar to your junction box with Mounting Screws. Cut any excess Cloth-Covered Cord, strip the wire ends and attach to your power source with Wire Nuts.

4. Slide the Canopy up to the ceiling and secure in place by tightening the Knurled Nut over the bottom of the Threaded Rod (Knurled Nut should be adjusted so that bottom of the Nut is flush with bottom of Threaded Rod).

5. Unscrew Finish Nut and remove Reflector by sliding it off the threads on the Socket Assembly. Set these two pieces aside. Insert Light Bulbs into Socket Assembly.

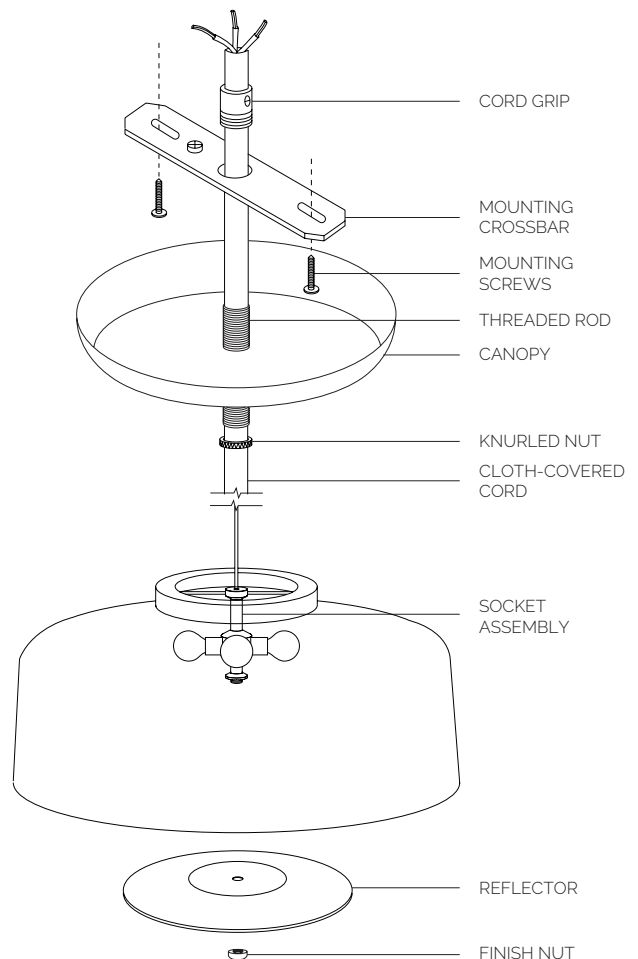
6. Slide Reflector up against the bottom of the Socket Assembly, Secure by screwing Finish Nut back onto the Socket Assembly

Included with your Grain Drum 25 are four LED 7 watt light bulbs.

The bulb is a warm white (2700K) G25 and delivers 800 lumens.

The bulb is JA8 certified and has a 15,000 hr lifetime.

G25 bulb recommended. 60W Max



CAUTION: Before starting, turn off power at main circuit power.

